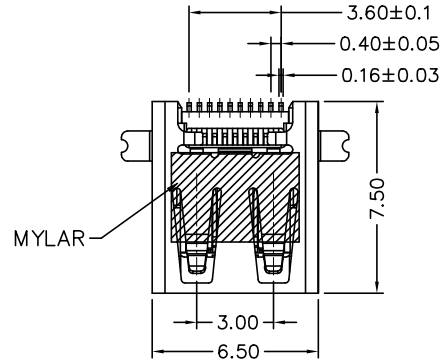


PART NUMBER

10118241-001RLF



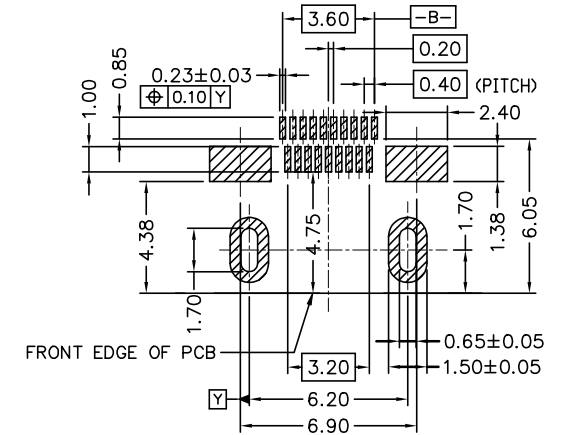
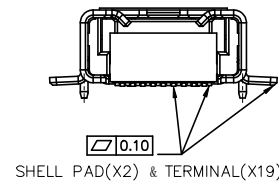
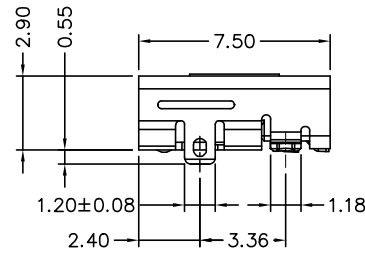
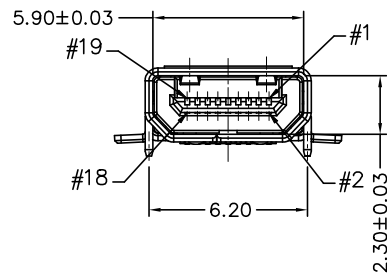
PART NO. DESCRIPTION:

10118241-00XXLF

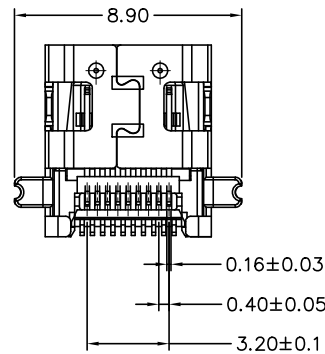
- RoHS COMPATIBLE
- PACKING TYPE
R: TAPE & REEL
- CONTACT AREA PLATING
1: Au 15u"

NOTES:

1. MATERIAL:
HOUSING: LCP+30%GF ,UL94 V-0,BLACK
TERMINAL: COPPER ALLOY.
SHELL: STAINLESS STEEL
2. FINISH:
CONTACT AREA: GOLD PLATED
CONTACT SOLDER AREA: GOLD FLASH PLATED
SHELL: TIN PLATED
UNDER NICKEL PLATED OVER ALL.
3. PRODUCT SPECIFICATION: GS-12-0983.
4. PACKAGING SPECIFICATION: GS-14-2164.
5. THE PRODUCT MEETS EUROPEAN UNION DIRECTIVES AND OTHER COUNTRY REGULATIONS AS DESCRIBED IN GS-22-008,
6. THE CONNECTOR CAN WITHSTAND EXPLOSURE TO 260 DEGREE C PEAK TEMPERATURE FOR 10 SECONDS IN IR REFLOW OVEN.



RECOMMENDED PCB LAYOUT (.XX±0.05)
CONNECTOR SIDE (TOP VIEW)



mat'l. code		surface ASME Y14.5		tolerance ASME Y14.5		projection		product family	
ltr		ecn no dr		date		tolerances unless otherwise specified		HDMI	
A		LS		09/13/11		.0±0.25		title	
B		ELX-N-16493 Henry		06/24/14		.00±0.20		HDMI TYPE D RECEPTACLE	
C		ELX-N-31844 TONY		2018-11-12		.00±0.10		scale N.T.S.	
		dr		LEIF SHEN		09/13/11		dwg no	
		eng		LEIF SHEN		09/13/11		sheet 1 of 1	
		chr		GARY HSIEH		09/13/11		size	
		app		GARY HSIEH		09/13/11		10118241	
sheet index		revision sheet		c				type Product Customer Drawing	
		1						A4	