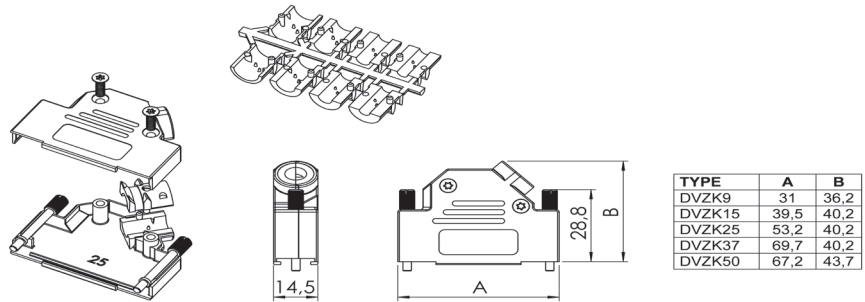
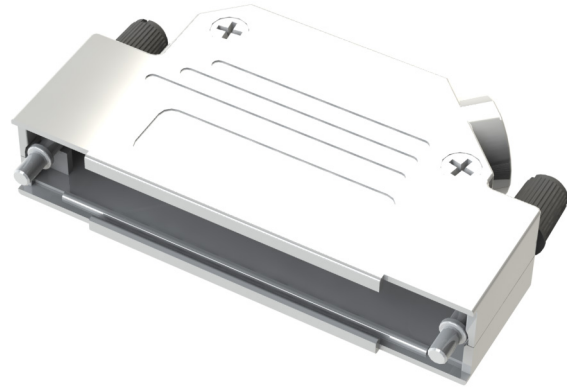


Shielded D-Sub Backshells DVZK Series

TECHNICAL SPECIFICATIONS

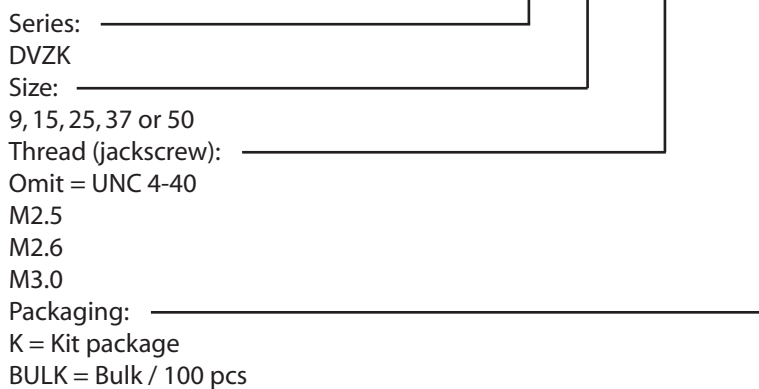
| | |
|----------------------|--|
| Material: | Zinc, Ni-plated |
| Temp. range: | -40°C - 120°C |
| Cable strain relief: | Polycarbonate PC UL94 V-0 |
| Cable diameter: | 3.0 - 13.0 mm |
| Locking screws: | Long jackscrews with moulded top for colour coding |
| Assembly screws: | Taptite threadforming |
| Cable outlet: | Angled |
| Attenuation factor: | > 40 dB between 30 MHz and 1 GHz |



| TYPE | A | B |
|--------|------|------|
| DVZK9 | 31 | 36,2 |
| DVZK15 | 39,5 | 40,2 |
| DVZK25 | 53,2 | 40,2 |
| DVZK37 | 69,7 | 40,2 |
| DVZK50 | 67,2 | 43,7 |

PART NUMBERING SYSTEM

DVZK15 - - BULK



FEATURES

- Available in sizes 9, 15, 25, 37 and 50
- Minimise interference from electromagnetic and RF sources
- Non-static parts avoid ESD problems
- Accept round foil and braided cable types
- Approved according VDE 0871, FCC 20780 and 89/336/EU
- Printed logotype available upon request
- Long jackscrews with UNC 4-40 thread as standard, M2.5, M2.6 or M3.0 as option
- For custom designed solutions, please consult factory