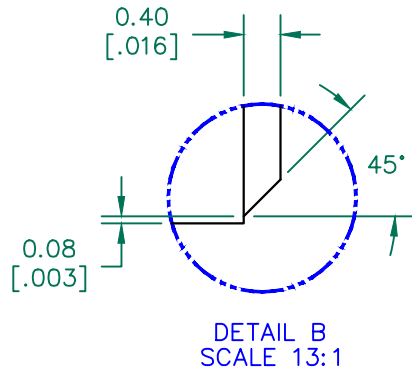
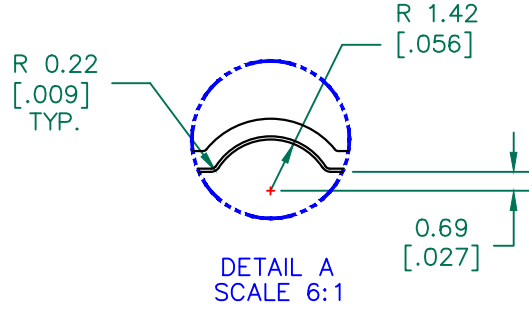
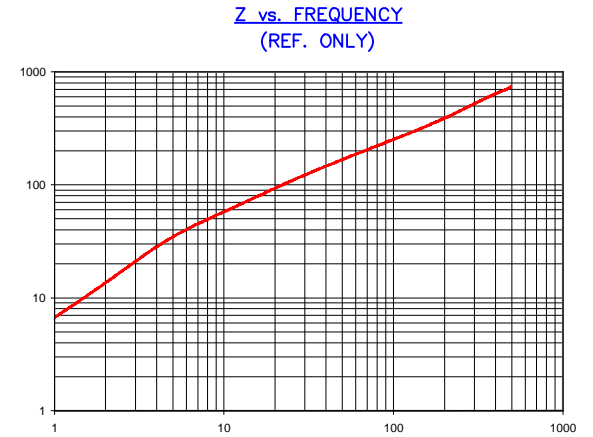
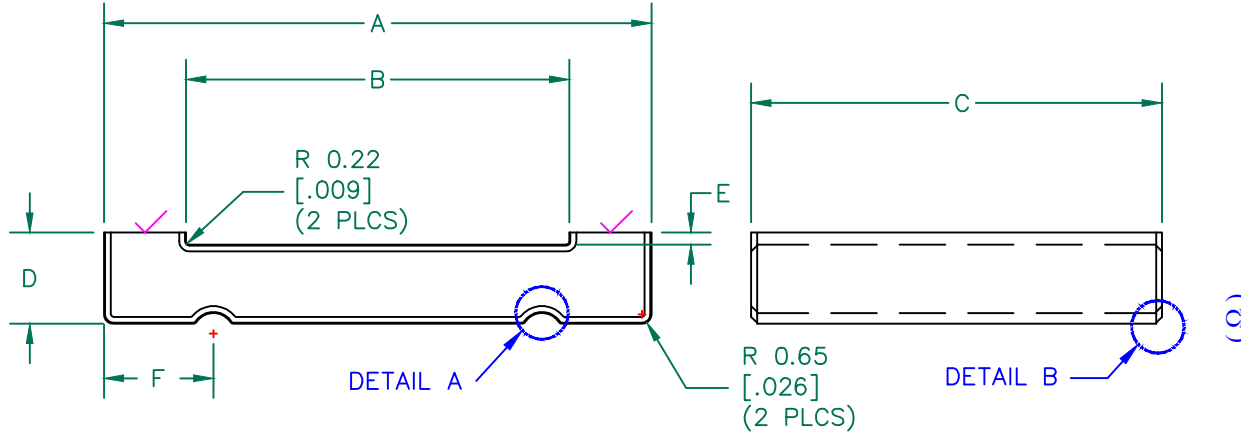


# UNCONTROLLED DOCUMENT

IMPEDANCE ( Z )			
Frequency	25 MHz	100 MHz	300 MHz
Nominal (REF)	115 Ω	250 Ω	520 Ω
Minimum	- Ω	200 Ω	- Ω



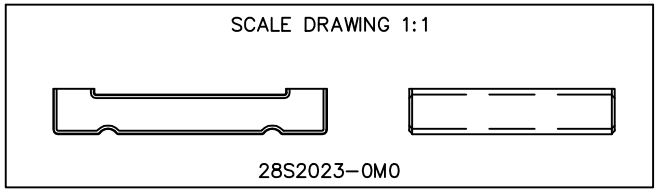
FERRITE CORE DIMENSIONS (SPEC): mm [in.]

A	38.10 [1.500]	+	0.76 [.030]
B	26.67 [1.050]	+	0.76 [.030]
C	25.40 [1.000]	+	0.51 [.020]
D	6.35 [.250]	+	0.25 [.010]
E	0.84 [.033]	+	0.25 [.010]
F	7.62 [.300]	+	0.25 [.010]



WEIGHT/1000 30.56 kgs. 67.38 Lbs.

- NOTES: UNLESS OTHERWISE SPECIFIED
- COSMETIC SPECIFICATION REFER TO WI-QA-038.
  - ADD METAL CLIPS FOR SHIPPING P/N ASSE017-2.



DIMENSIONS ARE IN mm[INCHES].				This print is the property of Laird Tech. and is loaned in confidence subject to return upon request and with the understanding that no copies shall be made without the written consent of Laird Tech. All rights to design or invention are reserved.		<b>Laird</b>	
REV	DESCRIPTION	DATE	INT				
E	UPDATE COMPANY LOGO	01/07/13	QIU	PROJECT/PART NUMBER: <b>28S2023-0M0</b>		<b>E</b>	DJB
D	UPDATE FORMAT & Z SPECS ADD CURVE CHANGE TOLS ON F DIMENSION	07/15/03	JRK				
C	UPDATE P/N FOR NEW CATALOG	7/27/95	JBE				
B	UPDATE	11/02/94	JBE				
A	ORIGINAL DRAFT	12/17/90	DJB				
REV	DESCRIPTION	DATE	INT	DATE: 12/17/90		SCALE: 2 : 1	
				CAD # 28S2023-0M0-E		TOOL # S2023	
						MATERIAL: <b>FERRITE</b>	