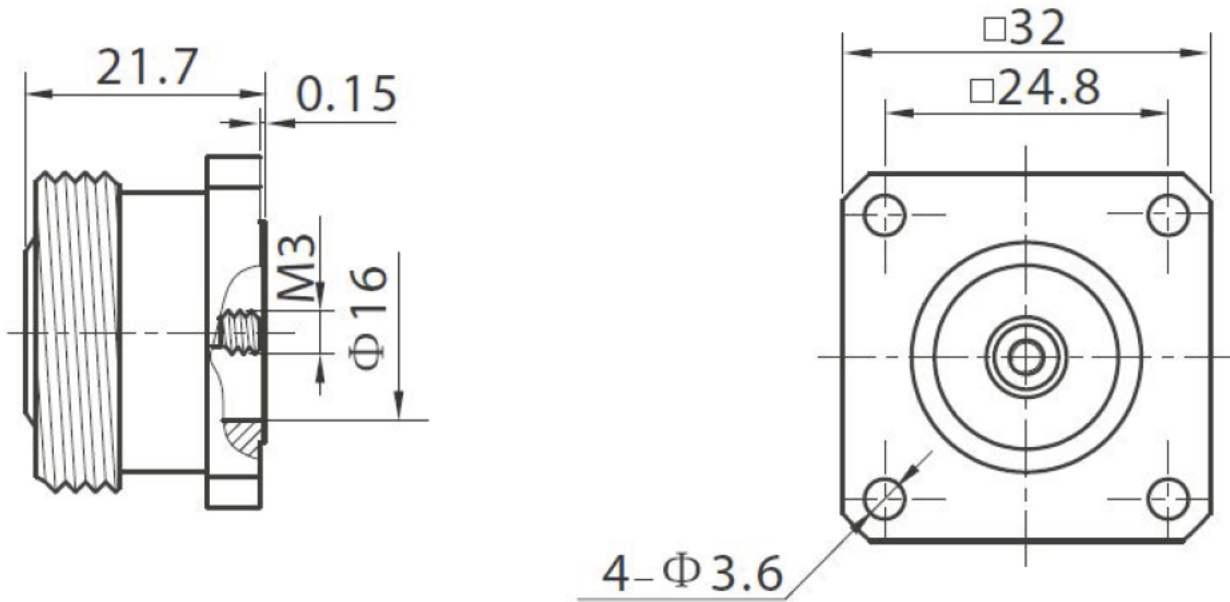


						7	8
REV	Revision Note	DATE	DRAWN	APPROVED			



- NOTES:
1. Temperature range:-55~+125°C;
 2. Characteristic impedance:50Ω;
 3. VSWR:≤1.1(0.3-7.5GHz);
 4. PIM:≤-155 dBc;
 5. Dielectric withstanding voltage:2500V rms;
 6. Insulation resistance:≥10 000MΩ;
 7. Durability:500 cycles;
 8. RoHs compliant.

NO.	Description	Material	Finish	Q' TY
4	Nut	Brass	Nickel	2
3	Body	Brass	Alloy	2
2	Insulators	PTFE	/	1
1	Center Contact	Brass	Silver	1
Materials and surface treatment				

Unless otherwise specified tolerance	
>120~400	± 1.0
>30~120	± 0.6
>6~30	± 0.4
0.5~6	± 0.2
Ang	± 1°
UNITS: mm	
VIEW PROJECTION:	



TITLE:	7/16 Female/ Jack Panel Mount 4-hole Flange Suco Plated	SCALE:	1:1
Designed		DWG NO.	
Checked			
Approved		PART NO.	716-3226-TSS
Date	11/11/2016	REV:	A/0

A
B
C
D
E
F

A
B
C
D
E
F