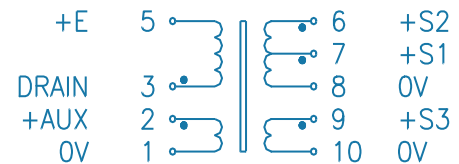
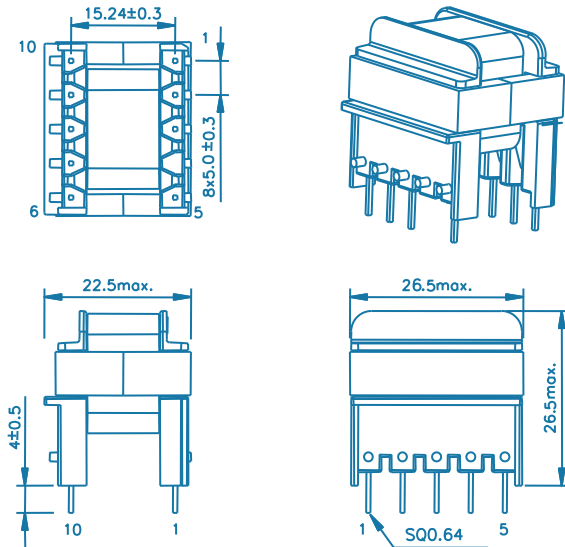


Type <b>FLYBACK</b>	Size <b>E25</b>	Output <b>5 + 12 + 12 V or 5 + 24 V</b>	MYRRA P/N <b>74030</b>
------------------------	--------------------	--	---------------------------

Product designation

## FLYBACK TRANSFORMER - E25 - 5 + 12 + 12 V - 30 W

### MECHANICAL CHARACTERISTICS - PINOUT



Pin 4 removed  
PCB recommended drilling diameter : 1.4 mm

### ELECTRICAL CHARACTERISTICS

MYRRA P/N	Maximum output power	Windings					
			Pins	Turns	Voltage	Maximum current	Inductance (+/- 10 %)
74030	30.0 W	P	3 - 5	70	85 ~ 265 V <sub>rms</sub>	1.5 A <sub>pk</sub>	750 µH
		Aux.	2 - 1	8	7.0 ~ 14.5 V <sub>DC</sub>	1.0 A <sub>DC</sub>	
		S1	7 - 8	4	3.3 ~ 7.0 V <sub>DC</sub>	3.0 A <sub>DC</sub>	
		S2	6 - 8	9	8.0 ~ 16.0 V <sub>DC</sub>	1.5 A <sub>DC</sub>	
		S3	9 - 10	9	8.0 ~ 16.0 V <sub>DC</sub>	1.5 A <sub>DC</sub>	
	<b>Typical uses</b>	<b>Outputs</b>	<b>Connections of the windings</b>				
		12.0 V - 3.0 A 24.0 V - 1.5 A	S2 and S3 in parallel S2 and S3 in series (pins 8 and 9 linked)				

### REMARKS

RoHS compliant

UL94 V-0 materials

Class B

Ambient temperature: 50 °C max.

P / S :

Creepage distances ≥ 6.0 mm

4.0 kV dielectric test

Construction conforms to IEC60950, IEC60335 and IEC61558-2-16 for reinforced isolation