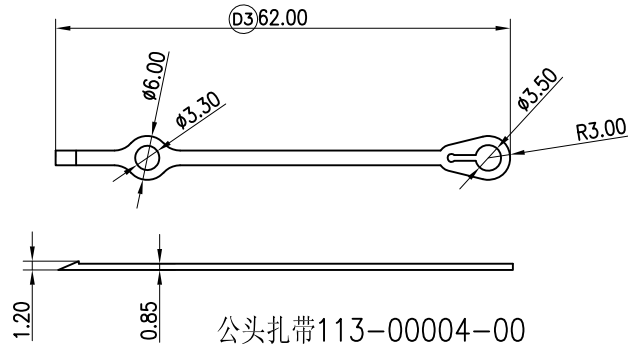
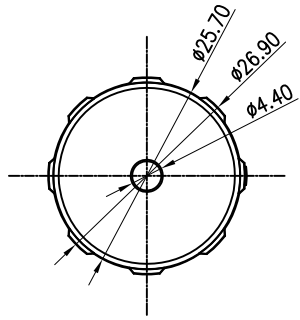
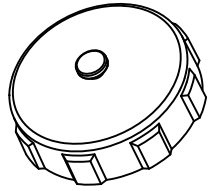


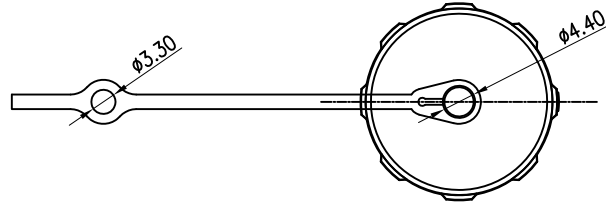
F
E
D
C
B
A

1 2 3 4 5 6 7 8

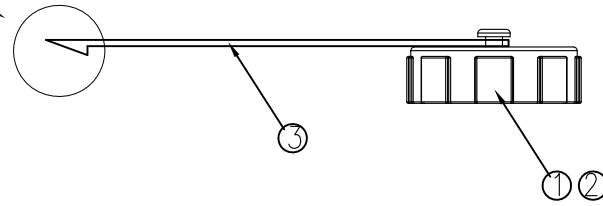
REV.	ECN NO.	DESCRIPTION	SIGN	DATE
D1	N/A	INITIAL DRAWING	莫祯鹏	2013.07.31
D2	ECN141027-01	规定扎带方向	莫祯鹏	2014.10.27
D3	ECN150910-03	扎带长度由64mm变为62mm	莫祯鹏	2015.09.10



公头扎带113-00004-00



请注意扎带方向



- 备注:
 1.材质:
 防护罩:尼龙黑色;扎带:21SPC
 2.表面不可有脏污、烧胶、缺料、裂纹以及严重缩水,批锋最大0.05mm
 3.符合RoHS

3	113-00004-00	1	公头扎带	
2	503-00057-00	1	防护盖垫片	
1	111-00024-00	1	Large 插座防护盖	
No.	Material No.零件料号	Q'ty	Material Description零件描述	Cable Range 线径
材 料 表 (BOM)				

UNIT:mm	
TOLERANCE	
.X	±0.25
.XX	±0.15
.XXX	±0.05
ANGLES	±1°

TITLE Large 快卡款插座防水盖 (成品) (RJ45快卡插座, 203快卡款插座共用)			
SCALE	SHEET 1 OF 1		
REV. D3	SIZE A4	QC :Inspection Item	

CHOGORI
 深圳乔合里科技有限公司

PART NO 806-00017-00	DRAWN BY 莫祯鹏	DATE 20150911
DWG NO	CHECKED BY	DATE
CUSTOMER	APPROVED BY	DATE

1 2 3 4 5 6 7 8

THIS INFORMATION IS CONFIDENTIAL AND IS DISCLOSED TO YOU ON CONDITION THAT NO FURTHER DISCLOSURE IS MADE BY YOU TO OTHER THAN CHOGORI PERSONNEL WITHOUT AUTHORIZATION FROM CHOGORI CORP.