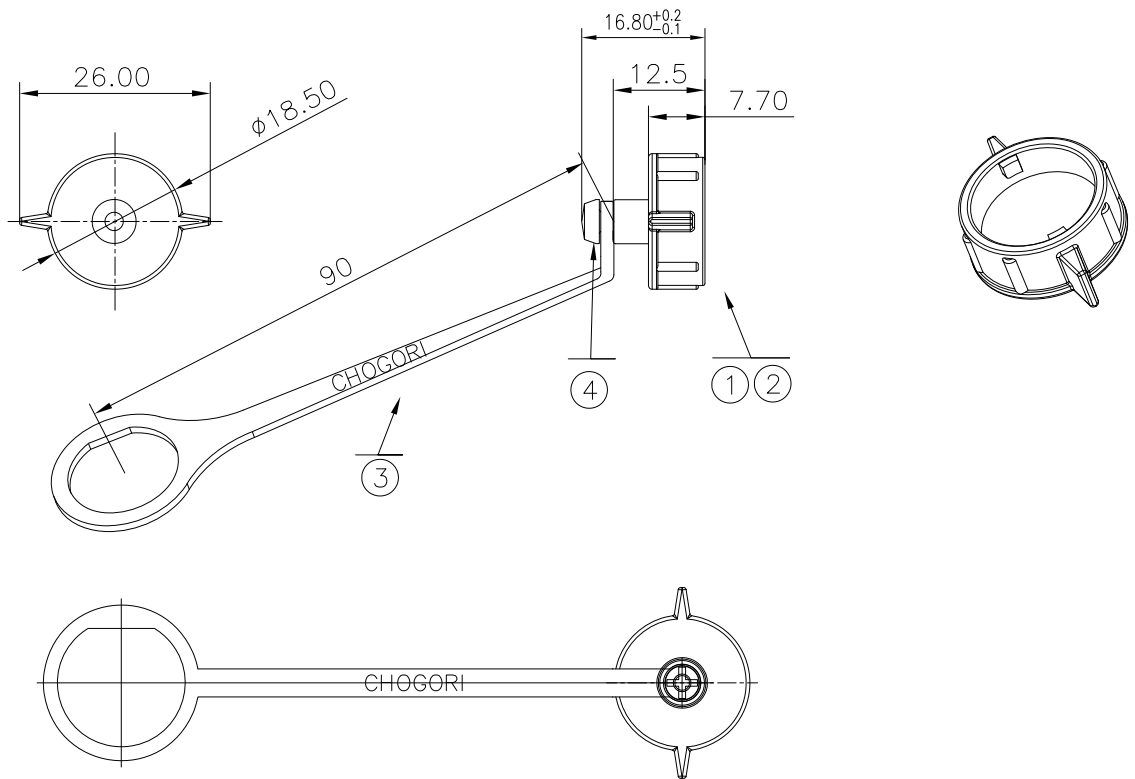


REV.	ECN NO.	DESCRIPTION	SIGN	DATE
D2	ECN151023-04	防水盖由111-00028-00变更为111-00076-00, 扎带由113-00007-00变更为113-00013-00, 增加自攻螺丝M3*7 (SUS316)	Mo	2015/10/23



Note:

- \* Important Dimension.  
(\*为重点检验尺寸)
- 符合RoHS

4	401-00027-00	1	M3*7自攻螺丝 (不锈钢SUS316)	
3	113-00013-00	1	标准扎带 (加厚)	
2	503-00033-00	1	标准自锁防水盖垫片	
1	111-00076-00	1	标准自锁防水盖 (插座, 螺丝式)	
No.	Material No.零件料号	Q'ty	Material Description零件描述	Cable Range 线径
材 料 表 (BOM)				

UNIT:mm	TITLE 标准自锁插座防水盖(螺丝式)	
TOLERANCE ±0.5	SCALE: N/A	SHEET 1 OF 1
	REV. D2	SIZE A4 * :Inspection Item

CHOGORI  
深圳乔合里科技有限公司

PART NO 806-00053-01	DRAWN BY Mo	DATE 2015/10/23
DWG NO	CHECKED BY	DATE
CUSTOMER	APPROVED BY	DATE

THIS INFORMATION IS CONFIDENTIAL AND IS DISCLOSED TO YOU ON CONDITION THAT NO FURTHER DISCLOSURE IS MADE BY YOU TO OTHER THAN CHOGORI PERSONNEL WITHOUT AUTHORIZATION FROM CHOGORI CORP.