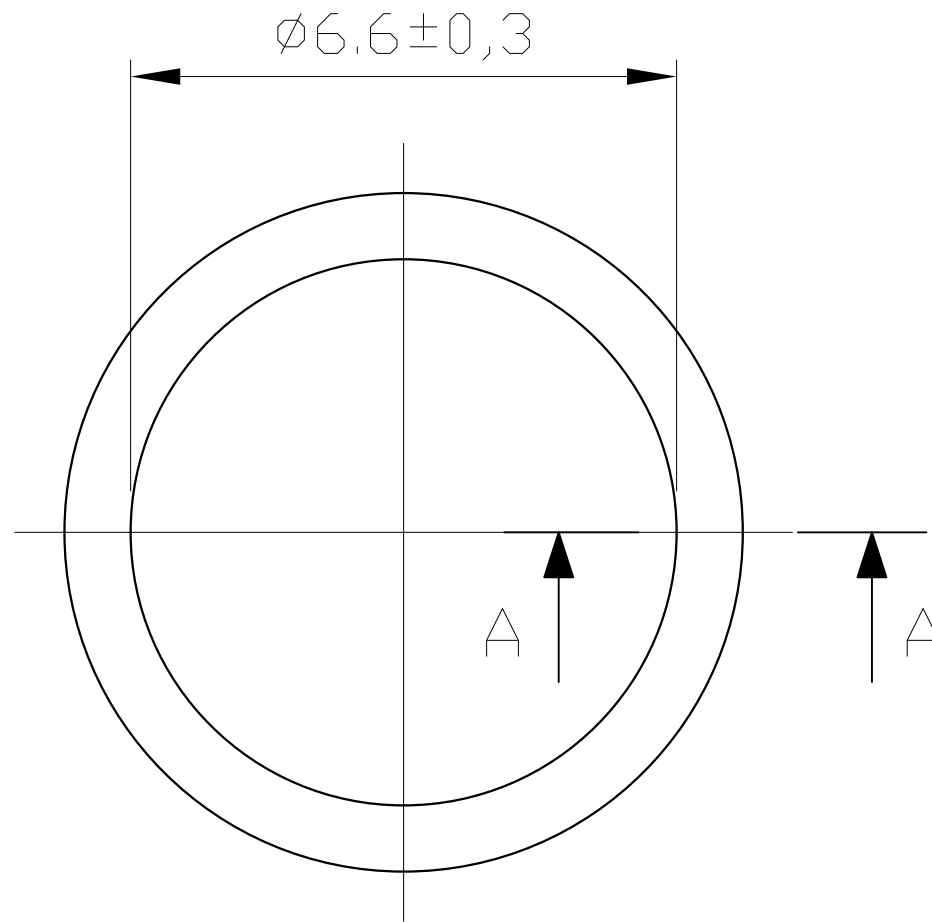
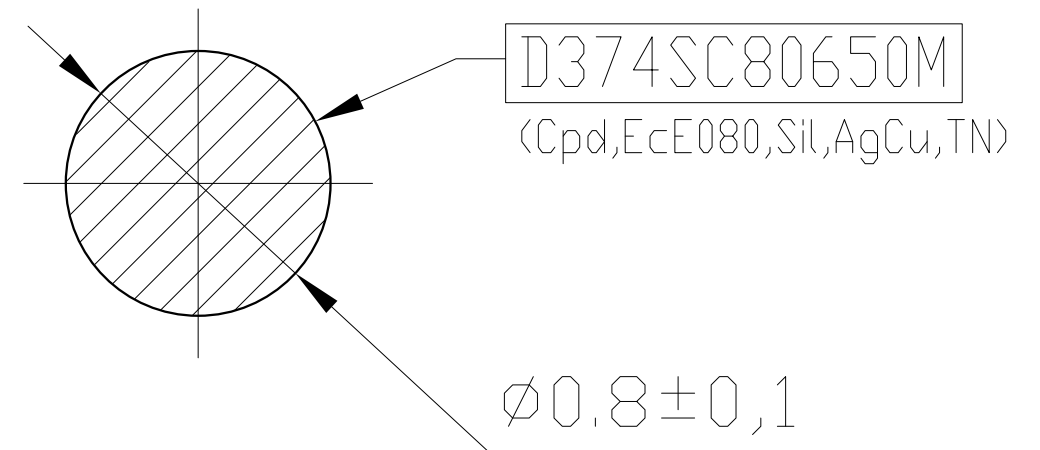


REV.	DESCRIPTION OF REVISION	DATE	DRAWN BY	APPD BY
-	-	-/-/-	-	-



A-A
Scale 4:1



Notes (poznámky):
-

<p>* CAD MAINTAINED DRAWING * MANUAL CHANGES UNAUTHORIZED. PRINTED COPIES OF THIS DOCUMENT ARE CONSIDERED UNCONTROLLED.</p> <p>IF THIS DRAWING IS GENERATED FROM A 3D SOLID MODEL IT MUST BE ACCOMPANIED BY THE MODEL FOR COMPLETE DOCUMENTATION.</p>	<p>BLOCK TOLERANCES APPLY TO METRIC UNITS ONLY. DUAL DIMENSIONS IF SHOWN ARE FOR REFERENCE ONLY AND ARE DISPLAYED IN 3 PLACES FOR CONVERSION PURPOSES ONLY.</p> <p>PRODUCTION DRAWING</p> <p>REVISION-CONTROLLED DOCUMENT</p>	<p>UNITS: MM</p>	<p>Laird</p>	<p>MATERIAL: D374SC80650M</p>	<p>PART DESCRIPTION: ORing,EcE80</p>	<p>LAIRD PART NUMBER: 8563-0326-80</p>				
		<p>TOLERANCES: Acc Drawing</p>			<p>CUSTOMER PART NUMBER: -</p>	<p>REV: -</p>	<p>CUSTOMER: -</p>	<p>DRAWN BY: DT</p>	<p>DATE: 13.06.2019</p>	<p>REV: 01</p>
		<p>ANGULAR: -</p>			<p>SCALE: 1:1</p>	<p>SHEET 1 OF 1</p>	<p>SIZE: A3</p>	<p>ROHS COMPLIANT: Yes</p>	<p>APPROVED BY: DT</p>	<p>DATE: 13.06.2019</p>