

MARKING DETAILS :

NOTE :

1. ALL DIMENSIONS IN mm.
2. THE CORD SHALL COMPLY WITH EN 50525-2-11.
3. THE MOLDED PLUG SHALL COMPLY WITH VARIOUS EUROPEAN COUNTRIES' CONFIGURATION (NATIONAL STANDARD) AND TESTED TO IEC 60884-1.
4. THE MOLDED CONNECTOR SHALL COMPLY WITH IEC 60320-1 OR EN 60320-1.
5. THIS PART CAN BE MANUFACTURED AT ANY LOCATION WHICH HAS SAFETY APPROVAL.

CUSTOMER APPROVED :

APPROVED BY :	
SIGNATURE :	
APPROVED DATE :	

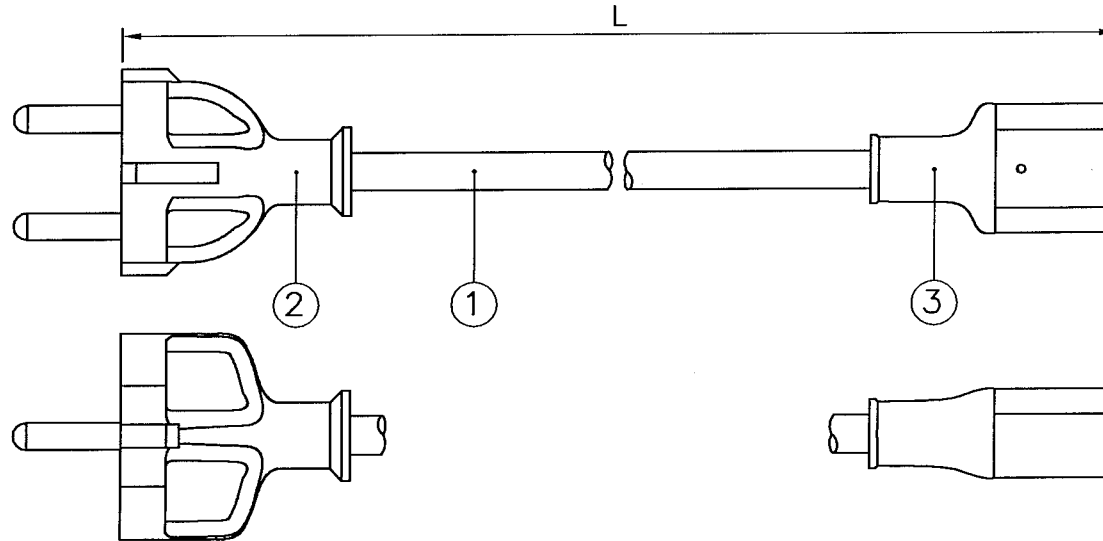
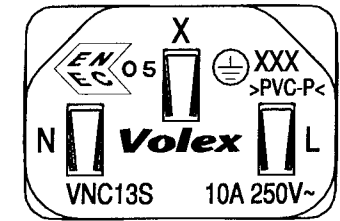
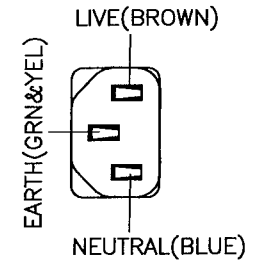


TABLE :

CUSTOMER PART NO.	LENGTH (L) mm
NEUSD3SW05B	500
NEUSD3SW10B	1000
NEUSD3SW12B	1200
NEUSD3SW15B	1500
NEUSD3SW20B	2000



MARKING DETAILS :

3	IP40G NL792B BLK	4100017	-
	MOLDED CONNECTOR VNC13S (10A 250V)	VNC13S-V	1
2	IP60G NL7976B BLK	4100115	-
	MOLDED PLUG VNEU16S3 (16A 250V)	VNEU16S3-V	1
1	H05VV-F 3X0.75 BLK PVC LEAD FREE	1210334	1
S/N	DESCRIPTION	ITEM NUMBER	QTY
TITLE : EUROPEAN POWER SUPPLY CORDSET (PB FR)		SCALE : N.T.S.	
CUSTOMER : GENERIC		PAGE : 1/2	
CUSTOMER PART NUMBER : NEUSD3SWXXB (REFER TO TABLE)		ISSUE	
Reference Number : 153221/6 (HG12-067-15)		001	
SALES :	QA :	ENGRG :	CHECKED BY :
			WANGHUI
Date :	Date :	Date :	Date :
		24/12/15	24/12/15
Volex (Asia) Pte Ltd			
Confidential property of Volex. Information contained herein shall not be disclosed to others, reproduced or used for any other purposes except as authorized in writing by an authorized official of volex asia.			

