

1000 series

Compact switch joysticks

Distinctive features and specifications



- Compact size
- Robust construction
- Single or dual axis
- Single or double pole
- Gold contacts
- Bushing or screw mount
- V4 switches
- V3 switches
- Alternative handle selection including pushbutton handles

MECHANICAL

- Mechanical Life: >5 Million Operations
- Lever Travel: 24° (12° from center)
- Lever Material: Stainless Steel or Brass
- Mass/weight: 40g
- Body Material: Mineral Filled Nylon-6
- Handle Material: See Handles Page
- Boot Material: Neoprene
- Mounting - Screw: 4 x M2.5 Stainless (Slotted)
- Mounting - Bush: Single Point 22mm Diameter

ENVIRONMENTAL

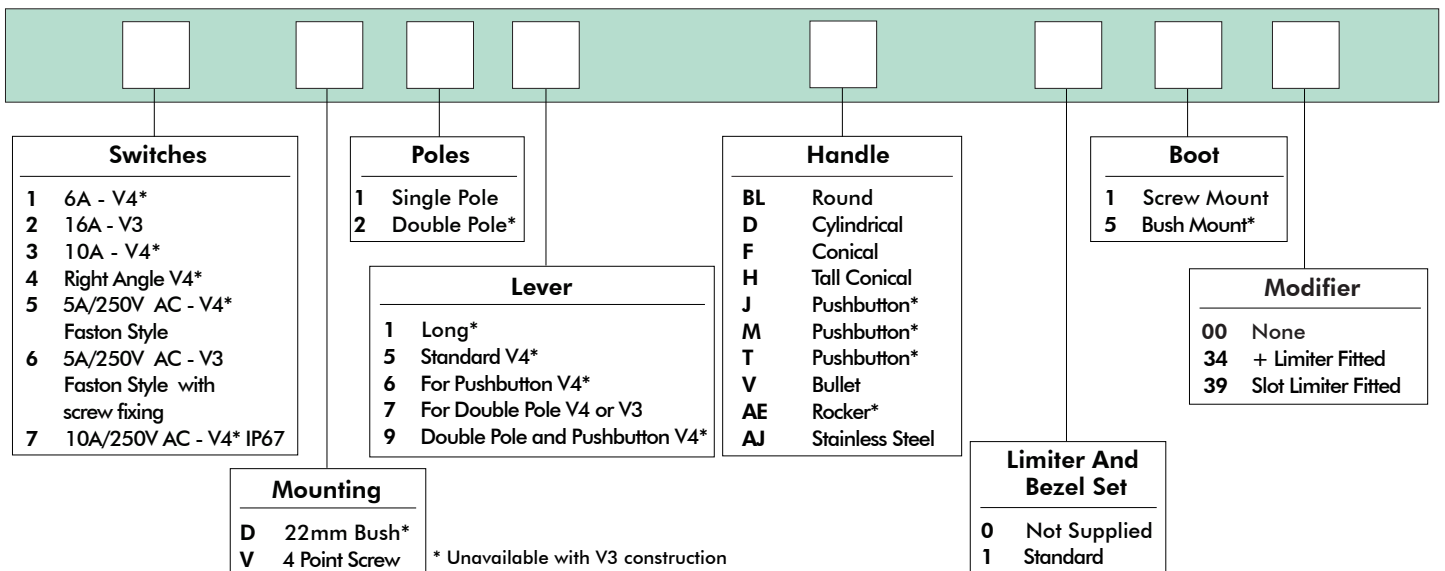
- Temperature Range: -20°C to 50°C (-4°F to 122°F)³
- Above Panel Seal (IP): To IP67¹

ELECTRICAL

- Number of Switches: 2, 4, or 8
- Nominal Current: 6A, 10A, or 16A
- Maximum Voltage: 250V AC
- Contacts #1 6A - V4: Gold
- Contacts #2 16A - V3: Silver
- Contacts #3 10A - V4: Silver
- Contacts #4 Right Angle: Silver
- Contacts #5 Faston Style - V4: Silver
- Contacts #6 Faston Style - V3: Silver
- Contacts #7: Silver
- Switch Contacts: Changeover
- Contact Life: Load Dependent
- Pushbutton Cable: Blue

NOTES:

- All values are nominal.
- 1. Excludes some handle options.
- 2. Exact specifications may be subject to configuration. Contact Technical Support for the performance of your specific configuration.
- 3. Temperature specification may be subject to the chosen switch option. Please refer to factory.

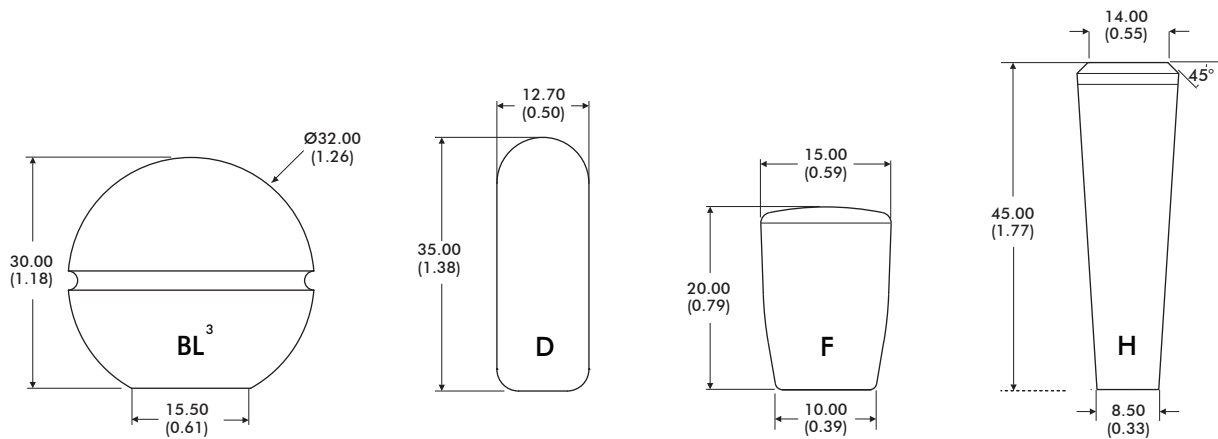


Note: The company reserves the right to change specifications without notice.

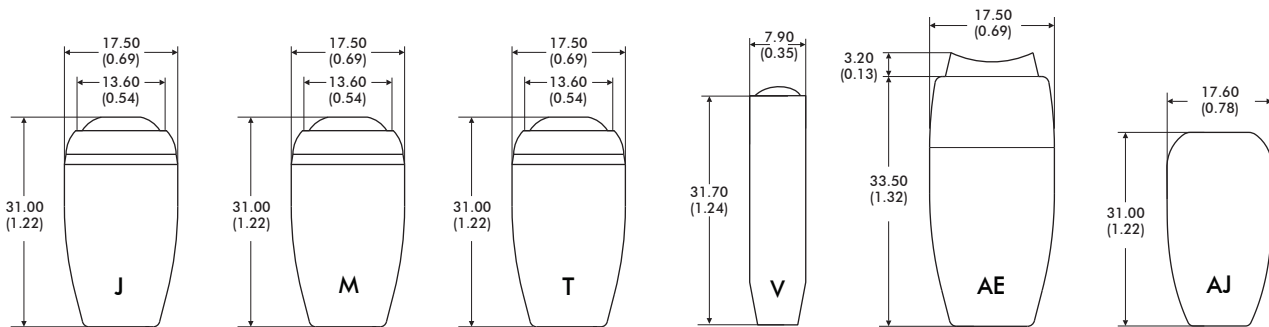
1000 series

Compact switch joysticks

Overview



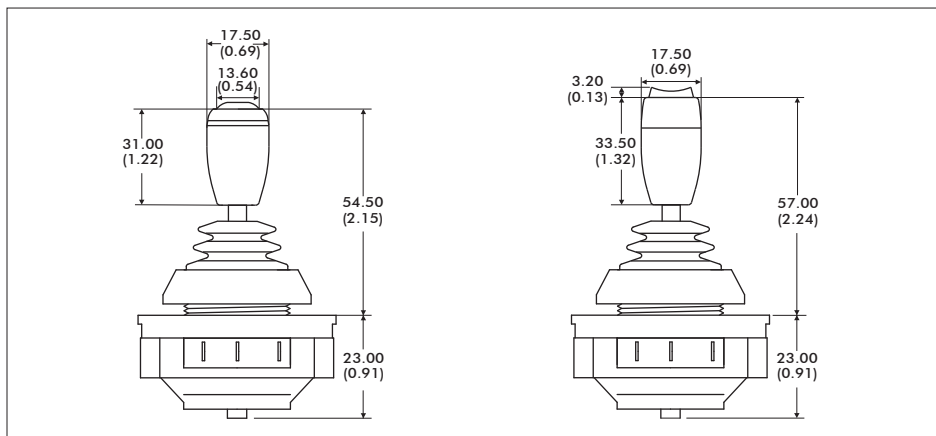
MATERIAL	Phenolic	Aluminum	Nylon	Stainless Steel
FINISH	Gloss	Anodized	Matt	Natural
STANDARD COLOR	Black	Black	Black	Stainless Steel
OTHER COLORS	Not Available	Not Available	Red	Not Available
NOTES:	Supplied Loose			



MATERIAL	ABS	Aluminum	Stainless Steel	ABS	Aluminum	Stainless Steel
FINISH	Matt	Anodized	Polished	Gloss	Anodized	Polished
STANDARD COLOR	Black	Black	Stainless	Black	Black	Stainless Steel
OTHER COLORS	Upon Request	Not Available	Not Available	Upon Request	Not Available	Not Available
NOTES:	Uses APEM IS Switch	Uses APEM IS Switch	Uses APEM IS Switch		Uses APEM TR Switch	

NOTES:

- Dimensions are in mm/(inch).
- Pushbutton (J, M, T) and rocker switches (AE) are for bushmount configurations only. Dimensions are shown below.
- Handle is supplied loose because it is larger than panel cutout. The handle should be press fitted to the joystick, once the joystick is installed in the panel.
- Unless otherwise specified, all joysticks are supplied with black switches in the handles.



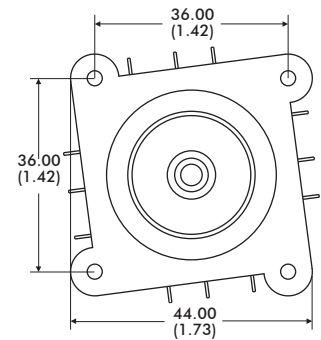
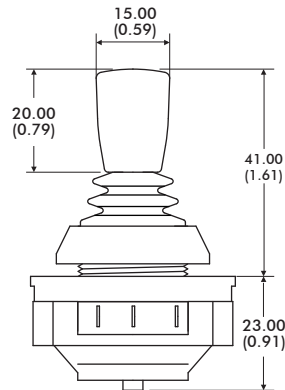
Note: The company reserves the right to change specifications without notice.

1000 series

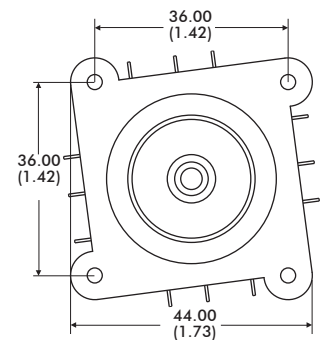
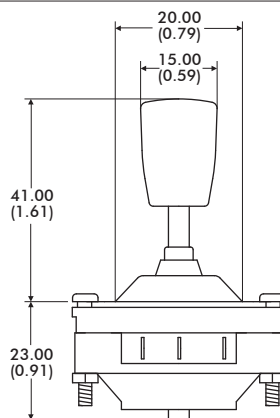
Compact switch joysticks

Overview

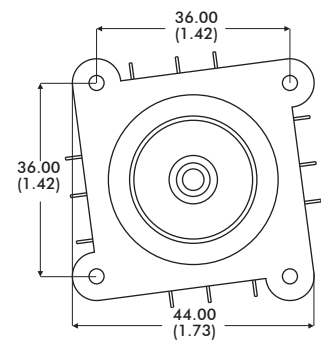
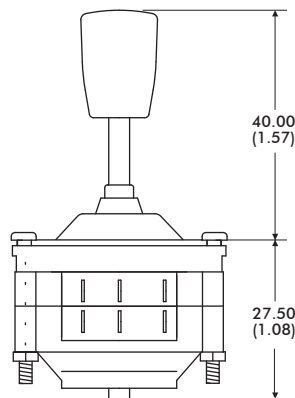
V4 BUSH MOUNT



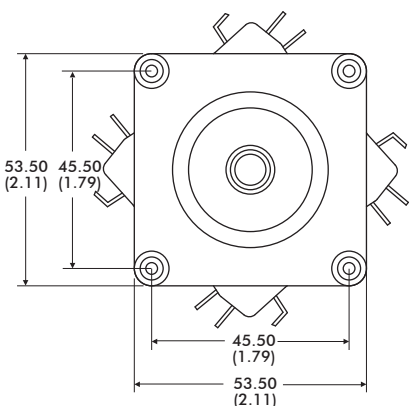
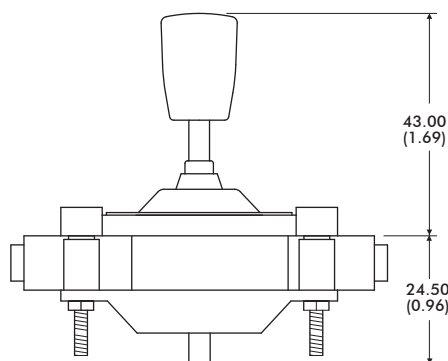
V4 SCREW MOUNT



V4 SCREW MOUNT DOUBLE POLE



V3 SCREW MOUNT



NOTES: Dimensions are in mm/(inch).


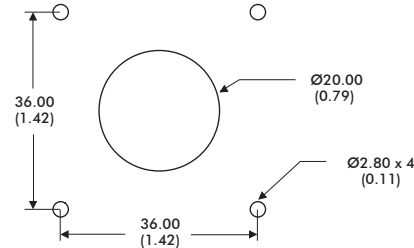

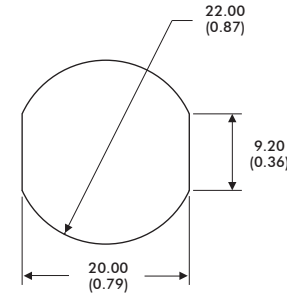
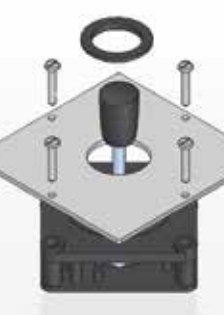
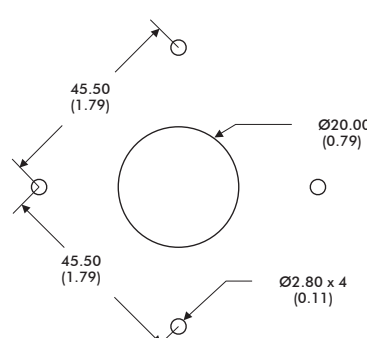
Note: The company reserves the right to change specifications without notice.

1000 series

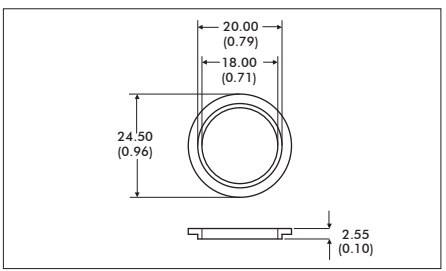
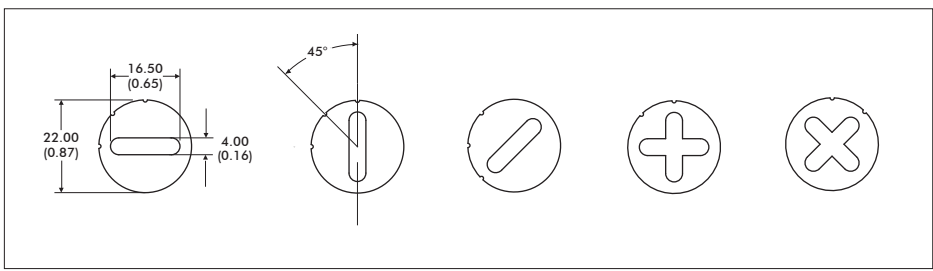
Compact switch joysticks

Overview

MOUNTING CUTOUT DIMENSIONS AND INSTALLATION

<p>V4 SCREW MOUNT</p> 	<p>NOTE: The joystick is mounted from beneath the panel using the 4 x M2.5 machine screws, supplied with the joystick. Supplied as standard with the joystick is a round bezel which may be fitted (according to customer preference) to finish the front face of the panel. Fitting the bezel is optional, and is not necessary if the panel cut-out finishes the panel. If fitting the bezel is selected then the panel cut out should be toleranced such that the bezel is an interference fit. Additionally bonding the bezel is recommended.</p> 
<p>V4 BUSH MOUNT</p> 	<p>NOTE: The joystick is mounted from beneath the panel. Supplied as standard with all bush mount joysticks, is a neoprene sealing gasket. This should be fitted between the joystick and the panel, in applications where a good seal is needed.</p> 
<p>V3 SCREW MOUNT</p> 	<p>NOTE: The joystick is mounted from beneath the panel using the 4 x M2.5 machine screws, supplied with the joystick. Supplied as standard with the joystick is a round bezel which may be fitted (according to customer preference) to finish the front face of the panel. Fitting the bezel is optional, and is not necessary if the panel cut-out finishes the panel. If fitting the bezel is selected then the panel cut out should be toleranced such that the bezel is an interference fit. Additionally bonding the bezel is recommended.</p> 

LIMITERS AND BEZEL SET



NOTE:

1. Dimensions are in mm/(inch).

Note: The company reserves the right to change specifications without notice.

1000 series

Compact switch joysticks

Overview

SWITCHES

Seven switch options are specified as standard. All are configured with changeover contacts, allowing the user flexibility of connection.

Option 1 - V4 - 6A/240V AC should be specified where the joystick will be switching smaller current levels. These switches are supplied with gold flash terminals to ensure reliable switching at very low current levels.

Option 2 - V3 - 16A/240V AC should be specified where the joystick will be switching up to 16A.

Option 3 - V4 - 10A/240V AC should be specified where the joystick may be switching up to 10A.

Option 4 - V4 - 5A/250V AC with right angle terminals, should be specified for PCB mounting or simpler termination.

Option 5 - V5 - 5A/250V AC with 2.8mm Faston style terminals.

Option 6 - V3 - 16A/250V AC with long terminals and screw fixing.

Option 7 - V4 - 10A/250V AC sealed to IP67.

Note: The construction of the joystick employing V3 switches is not available with as many configuration options.

Life and reliability of the switches is heavily determined by the type of application and parameters such as load. Contact the factory for further advice about the expected switch performance under differing loads or DC supplies.

MECHANICAL OPERATION

All 1000 series are supplied with an open square gate. As a standard option the joystick may be supplied with an additional plastic limiter set, that allows the customer to retro-fit limiters to reduce the travel to single axis(-), cross (+) or diagonal (X) operation. For harsh environments metal limiters are also available.

Joysticks are supplied as standard without a cable harness, allowing the user flexibility of connection. Alternatively the joystick may be factory configured with fitted limiters or cable harnesses, upon customer request.

SEALING

Two boot options are offered as standard to provide an above-panel seal. When specifying a bush mount joystick select boot option 5 which yields an IP65 seal. Alternatively boot option 1 should be selected for 4 point screw mount joysticks which yields an IP67 seal. As standard, a sealing gasket is supplied with all bush mount joysticks, to ensure a good seal between the joystick body and the panel. The sealing standards quoted are panel seals. It is assumed that the below panel area will be sealed. For applications where below panel seal can not be assured, switch option 7 should be selected.

DOUBLE POLE OPERATION

The construction of the joystick is designed such that both switches nominally trigger simultaneously. Such simultaneous triggering is subject to a $\pm 2^\circ$ tolerance (between switches) owing to the mechanical tolerances and hysteresis of each switch.

MOUNTING

The 1000 series is available in two mounting options, four point screw mount or bush mount. The V4 screw mount option is supplied with M2.5 x 20mm screws, whereas the larger construction of V3 screw mount joystick is supplied with M2.5 x 25mm screws. All screws supplied are slotted, pan head machine screws, although longer pan head screws, or countersunk heads are also available upon request.

LEVERS

Lever option 5 provides for a low profile above the panel (41mm/1.61inch), this option is very popular for those applications requiring a compact, stubby design. Lever option 1 is an additional 5mm/0.20inch taller. Lever option 6 should be specified for a push button handle, and lever option 7 is designed for V4 double-pole, or V3 constructions. Lever option 9 is for double-pole and pushbutton joysticks. Additional custom levers are available upon request.