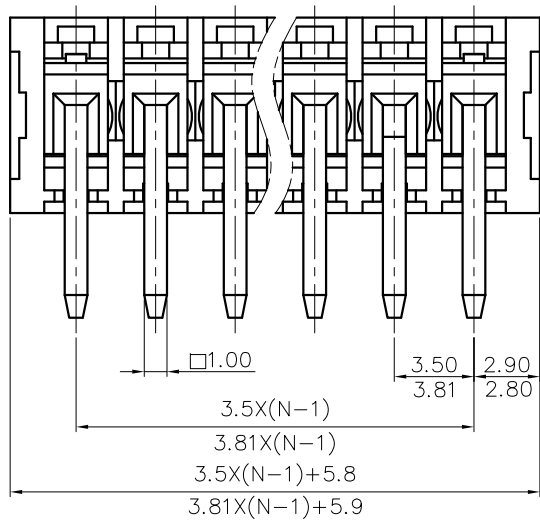


REVISION RECORD				
REV	ECN	DESCRIPTION	DRFT	DATE



NOTES1:

- UL Standard
- 1. Rated voltage/current : 300V / 10A
- 2. Withstanding voltage : AC1600V/1Min.

IEC Standard

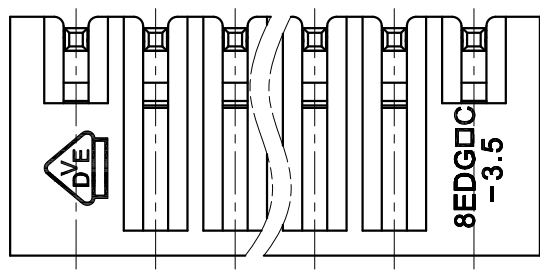
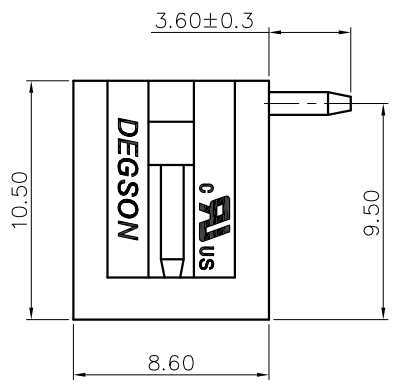
1. Pollution Degree	3
Overvoltage Category	III
Rate Impulse Voltage(KV)	2.5KV
Rate Voltage(V)	130V
Rate Current(A)	10A

NOTES2:

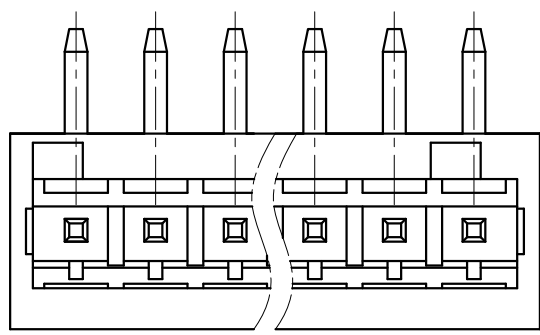
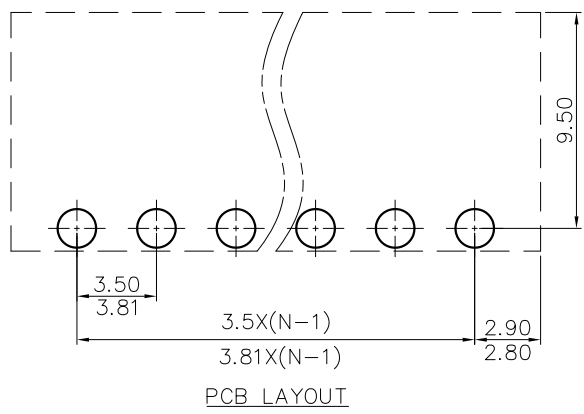
- 1. Dimension shall be interpreted per ASME Y14.5-2009
- 2. Pitch : 3.5/3.81mm, Poles : N=02~24P
- 3. Operating temperature : -40°C~+105°C
- 4. Undimensioned tolerances:

Pitch Range In mm		Nominal Dimension Range In mm					Tolerances	
To	Over	To	Over	To	Over	To	Over	
6	10	30	60	100	150	±0.15	±0.20	
10	24	30	60	100	150	±0.30	±0.30	
24	30	60	100	150	150	±0.50	±0.70	
30	60	100	150	150	150	±1.00	±1.30	
60	100	150	150	150	150	±2*	±2*	

5. RoHS Compliance



8EDGRC - 3.5/3.81- XXP - 1Y - 00A (H)
 (Series No.) (Pitch) (Poles) (Single Pitch) (Color):1.(Grey)
 2.(Blue)
 3.(Black)
 4.(Green)
 5.(Orange)
 6.(Red)
 7.(Transparent)
 8.(Yellow)
 9.(White)



DETACHED LISTS	PART NO.:	/		
	APPD:	/		
	CHKD:	/		
	DRFT:	/		
	THIRD ANGLE PROJECTION		DRAWING NO.: /	
		MM (INCH)		DO NOT SCALE DRAWING
		TITLE: CUSTOMER DRAWING		REV: /
		DRAWING NO.: /		DO: 1/1
		SHEET: 1/1		SCALE: 1:1