

Standard Safety Limit Switch

- Multiple contact models: 1NC/1NO, 2NC.
- Applicable to both standard loads and microload.
- Conforms to EN115 and EN81-1. ● All lineup includes Zb contacts.
- Certified standards: UL, EN(TUV), and CCC.

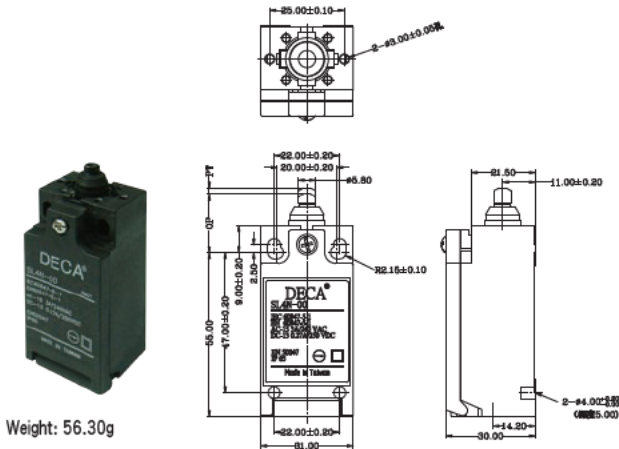
Operating Characteristics

Degree of protection		IP67 (EN60947-5-1)
Durability	Mechanical	15,000,000 operations min.
	Electrical	500,000 operations min. (3A resistive load at 250 VAC) 300,000 operations min. (10A resistive load at 250 VAC)
Operating Speed		1 to 500 mm/s
Operating Frequency	Mechanical	30 operations /minute max.
	Electrical	
Rated Frequency		50/60Hz
Insulation Resistance		100M Ω min.
Contact Resistance		25m Ω max
Dielectric Strength	Between terminals of same polarity	2.5kV
	Between terminals of different polarity	4kV
	Between each terminal and non-current-carrying metal part	6kV
Rated insulation voltage (Ui)		300V
Pollution degree (Application environment)		3 (EN60947-5-1)
Conditional short-circuit current		100A(EN60947-5-1)
Rated open thermal current(Ith)		10A(EN60947-5-1)
Degree of protection against electric shock		Class II(double insulation)
Vibration Resistance	Malfunction	10 55 Hz 0.75 mm single amplitude
Shock Resistance	Destruction	1,000m/s ² min.
	Malfunction	300m/s ² min.
Ambient operating temperature range		30~+70°C with no icing
Ambient operating humidity range		95% max.
Packing		5pcs /Box

Note: 1. Above values of these characteristics are initial values. 2. Above values of these characteristics may be depending on different models. If any requirements, pls contact our sales representative. 3. Above durability is for an ambient temperature of 5 to 35°C and ambient humidity of 40% to 70%. If any requirements, pls contact our sales representative.

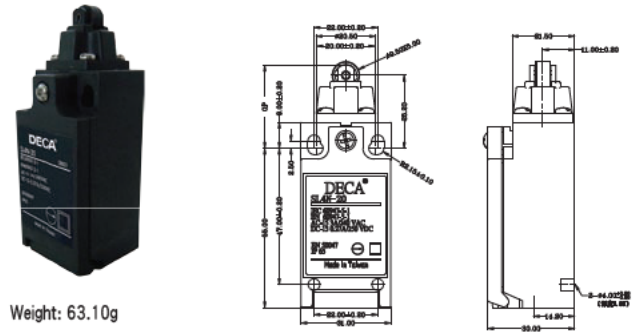
SL4N-00

●Standard Top Plunger



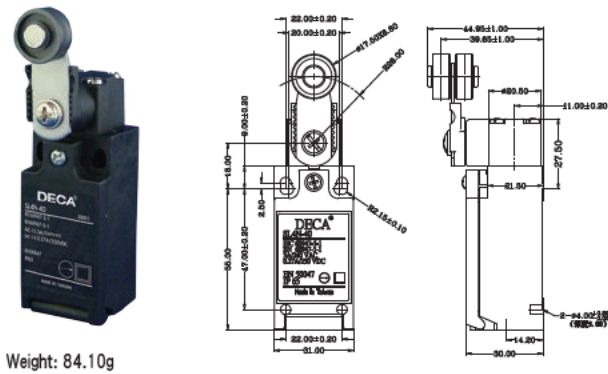
SL4N-20

●Standard Roller Plunger



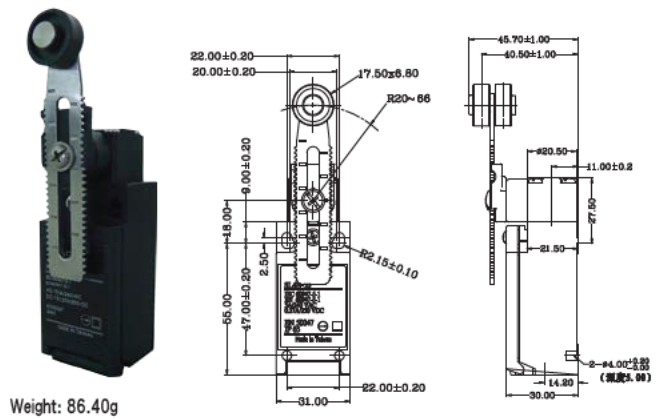
SL4N-40

●Vertical Standard Roller Lever



SL4N-50

●Adjustable Roller Lever, Form Lock (With Metal Lever, rubber Roller)



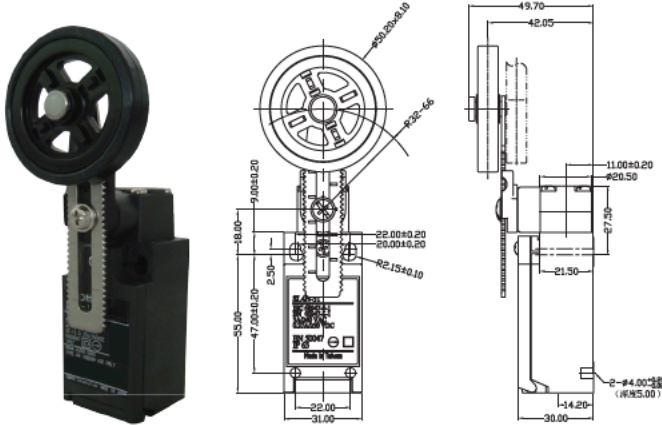
SL4N

■Operating Characteristics

O.Characteristics		Model	SL4N-00	SL4N-20	SL4N-40	SL4N-50
OF	MAX		6.5N	6.5N	5.0N	4.5N
RF	MIN		1.5N	1.5N	0.5N	0.4N
PT	MAX		2mm	2mm	18~27 °	18~27 °
OT	MIN		4mm	4mm	40 °	40 °
MD	MAX		1mm	1mm	14 °	14 °
OP			18.2±0.5mm	28.6±0.8mm		
TT			(6mm)	(6mm)	(80°)	(80°)
DOT	MIN		3.2mm	3.2mm	50 °	50 °
DOF	MIN		20N	20N	20N	20N

SL4N-5 1

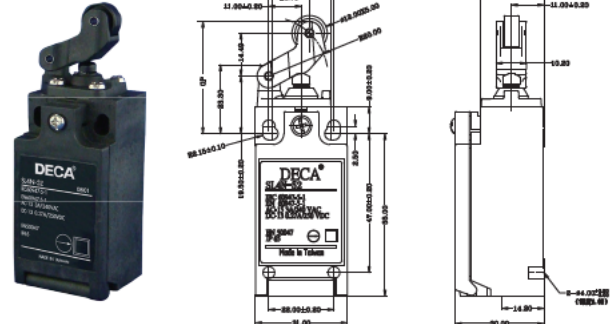
- Adjustable Roller Lever, Form Lock (with Metal Lever, Rubber Roller)



Weight: 100.70g

SL4N-52

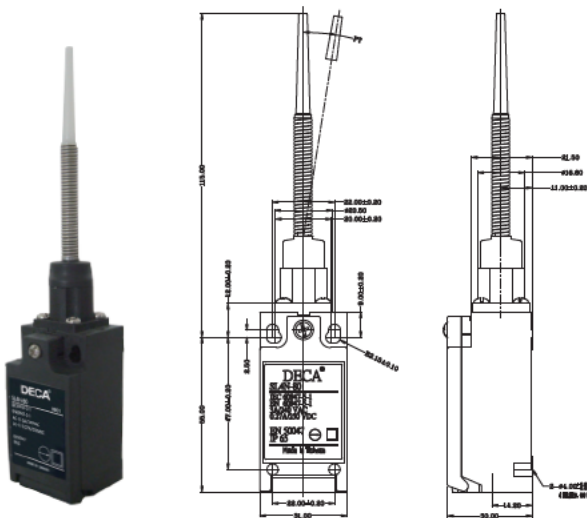
- One-way Roller Arm Lever (Horizontal)



Weight: 64.00g

SL4N-8 1

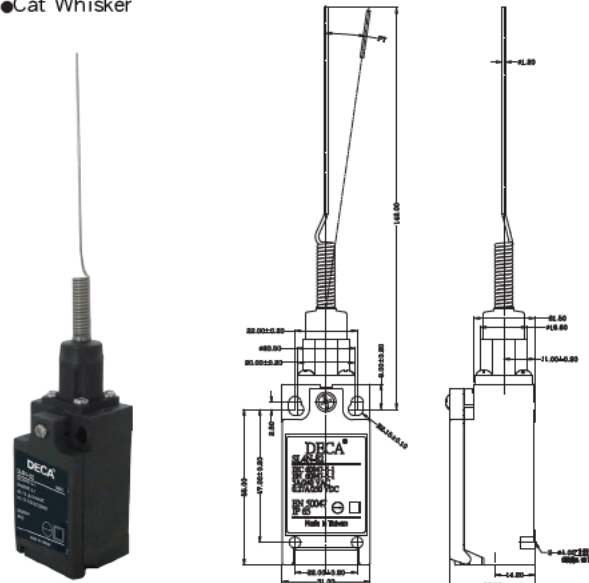
- Plastic Rod



Weight: 73.40g

SL4N-82

- Cat Whisker



Weight: 71.00g

Operating Characteristics

O.Characteristics		Model	SL4N-51	SL4N-52	SL4N-80	SL4N-82
OF	MAX		4.5N	5.0N	1.5N	1.5N
RF	MIN		0.4N	0.8N		
PT	MAX		18-27 °	4mm	15°	15°
OT	MIN		40°	5mm		
MD	MAX		14°	1.5mm		
OP				37±0.8mm		
TT			(80°)	(9mm)		
DOT	MIN		50°	5.8mm		
DOF	MIN		20N	20N		