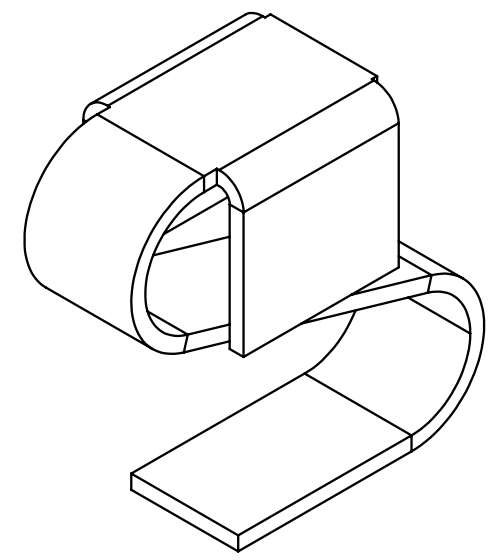
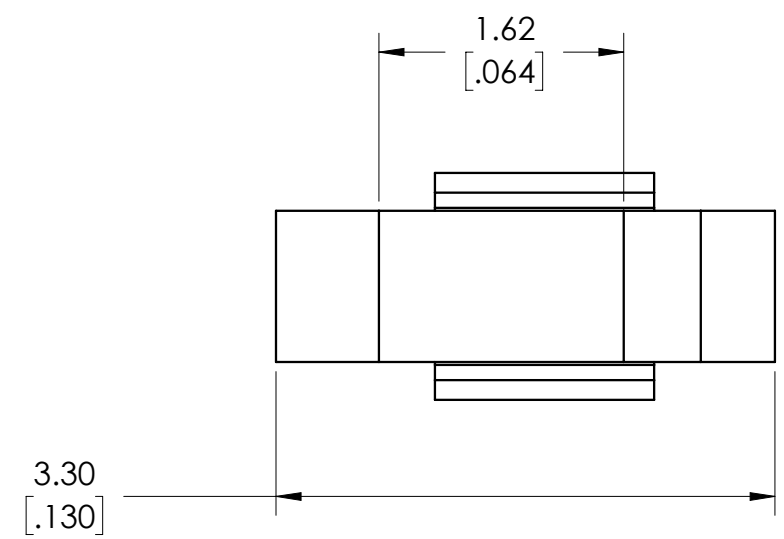
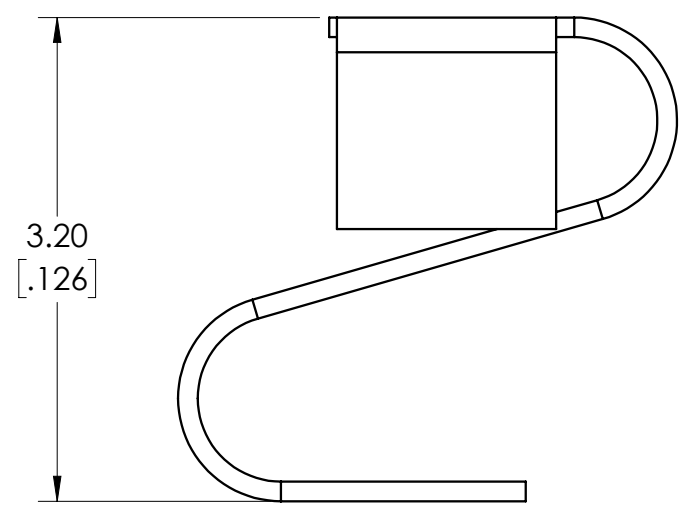
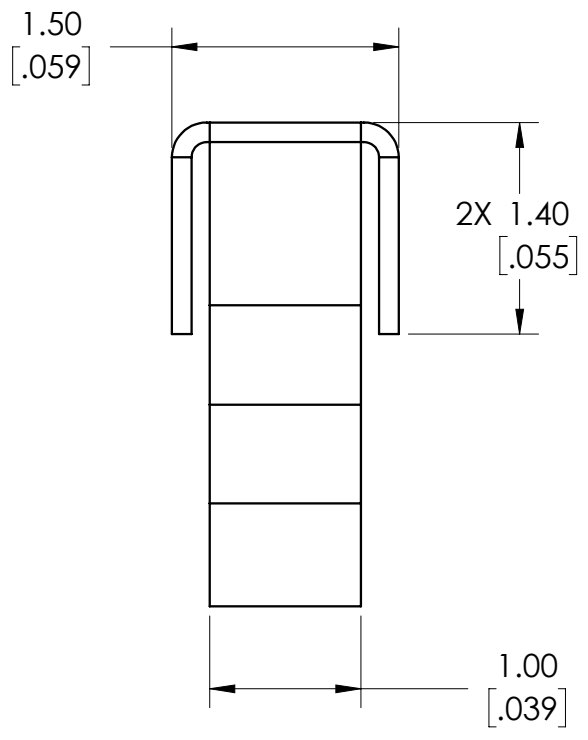


8	7	6	5
PART NUMBER	THICKNESS	MATERIAL	PLATING
BMI-C-007-01	0.10 ± 0.010 [0.0040]	BeCu ALLOY 25 TH01	MATTE TIN OVER COPPER FLASH



UNITS: MM [INCH]	Laird	LAIRD DRAWING NUMBER: BMI-C-007-01-SALES
TOLERANCES: X.X = ± 0.4 X.XX = ± 0.2 X.XXX = ± 0.1		THIS IS AN UNCONTROLLED SALES DRAWING. THE DIMENSIONAL CHARACTERISTICS AND TOLERANCES OF THIS PART SHOWN ON THIS DRAWING AS A REFERENCE TO THE DIMENSIONAL SPECIFICATIONS OF THE LAIRD STANDARD PRODUCTION DRAWING FOR THIS PART. ANY SUBSEQUENT CHANGES TO THE STANDARD PART SPECIFICATION WILL SUPERSEDE THIS SALES DRAWING.
ANGULAR: X° = ± 3° X.X° = ± 1.0°	3RD ANGLE PROJECTION	SIZE B
	DESIGNED IN SOLIDWORKS	SHEET 1 OF 1