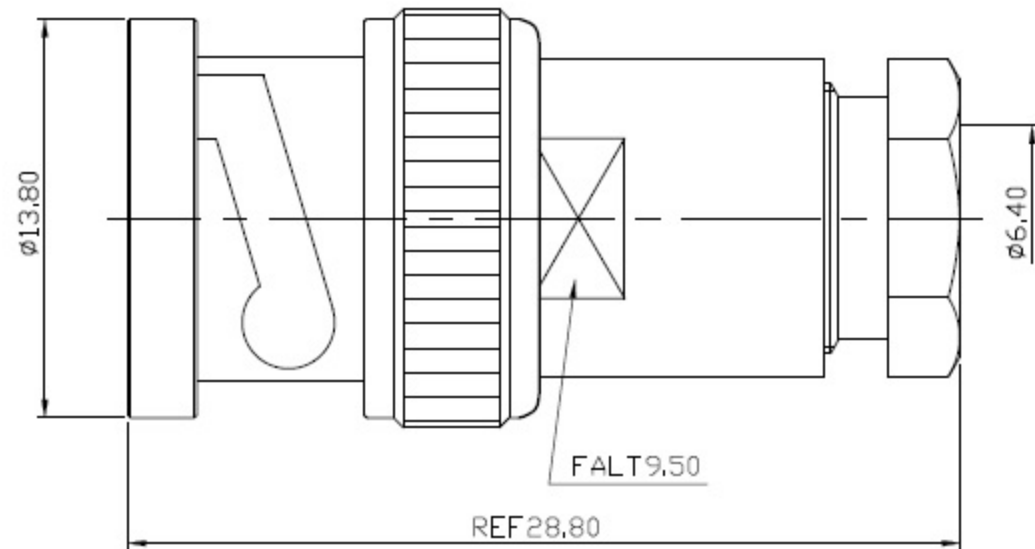


MATERIAL : BODY-BRASS
 CONTACT-BRASS
 NUT-BRASS
 SLEEVE-BRASS
 WASHER-BRASS
 GASKET-RUBBER
 INSULATOR-DELTRIN
 WASHER-BRASS
 SPRING WASHER-SK-5
 GASKET-RUBBER
 SHELL-BRASS

FINISH : BODY-NICKEL PLATING
 CONTACT-GOLD PLATING OVER NICKEL
 NUT-NICKEL PLATING
 SLEEVE-NICKEL PLATING
 WASHER-NICKEL PLATING
 WASHER-NICKEL PLATING
 SHELL-NICKEL PLATING



DIMENSIONS ARE IN MILLIMETERS TOLERANCE		SCHMID-M	
· × ±0.5	ANGLE ±3°	SCALE 4:1	TITLE BNC Straight Plug Clamp for RG59u, RG62A/u, RG210u
· × × ±0.1		REV A-0	
· × × × ±0.05		DRAWN	DATE 93. 02. 10
APPROVAL		DATE	FILE NO