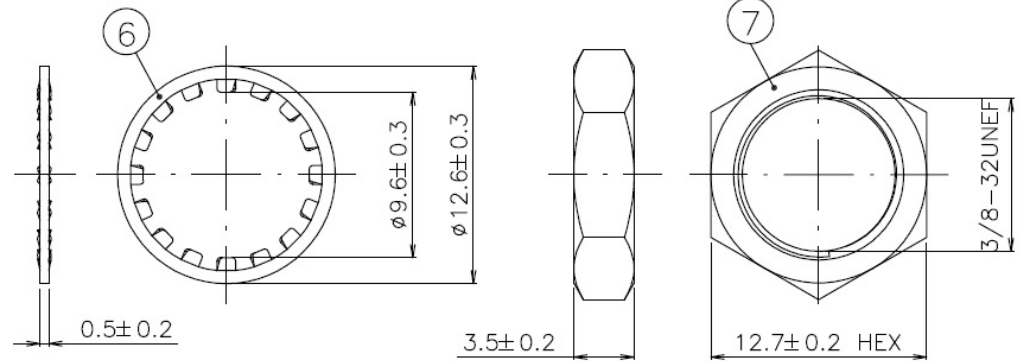
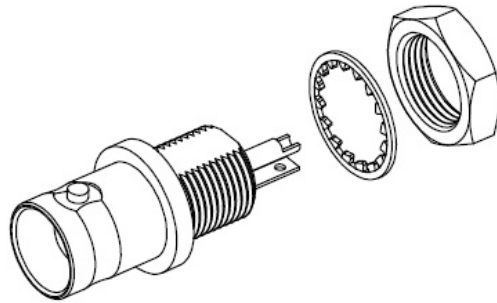
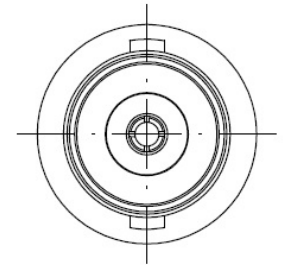
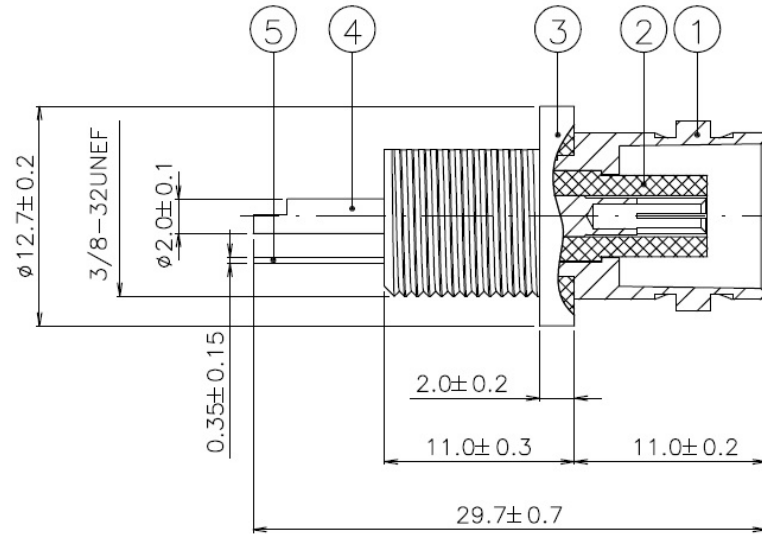
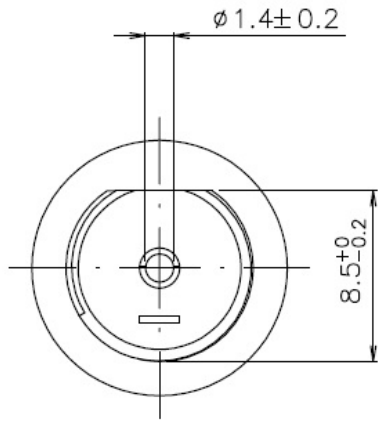


BNC FEMALE ISOLATED FROM PANEL WITH MOLDED THERMO PLASTIC INSULATION



|   |          |        |
|---|----------|--------|
| 7 | brass    | nickel |
| 6 | fe       | nickel |
| 5 | brass    | gold   |
| 4 | brass    | gold   |
| 3 | ABS      |        |
| 2 | teflon   |        |
| 1 | brass    | nickel |
|   | Material | Plated |

|              |                 |                                         |
|--------------|-----------------|-----------------------------------------|
| TOLERANCE    |                 |                                         |
| SCALE        | UNIT mm         |                                         |
| DRAW Johnson | DATE 10.11.2012 | TITLE                                   |
| CHECK Paul   | REV             | <b>BNC-4205m-PGN</b>                    |
|              |                 | DESCRIPTION                             |
|              |                 | BNC Female Bulkhead with thermo Plastic |