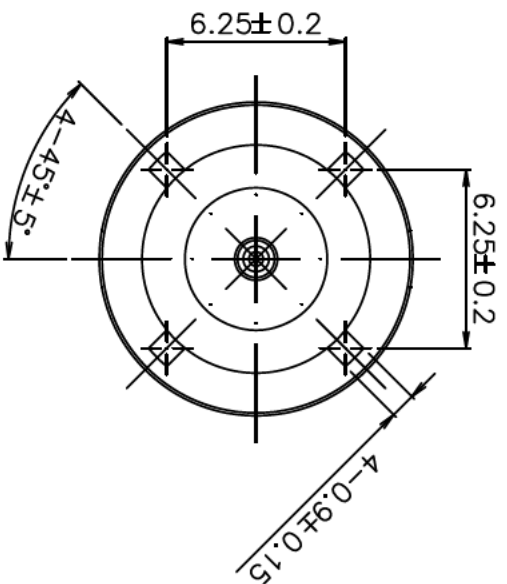
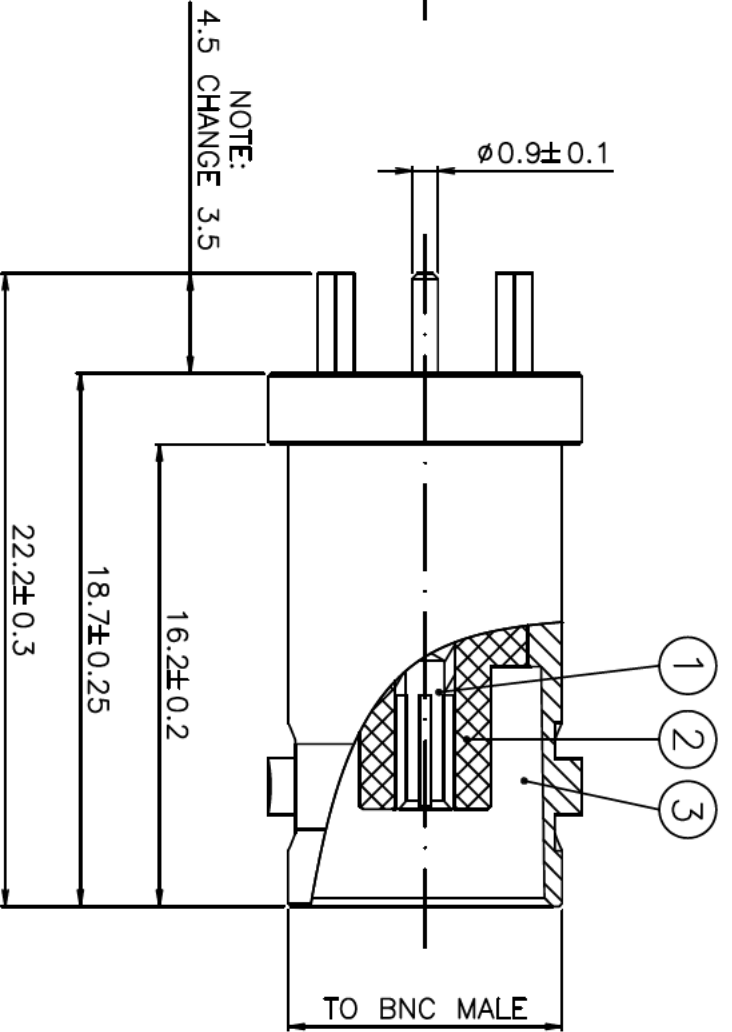
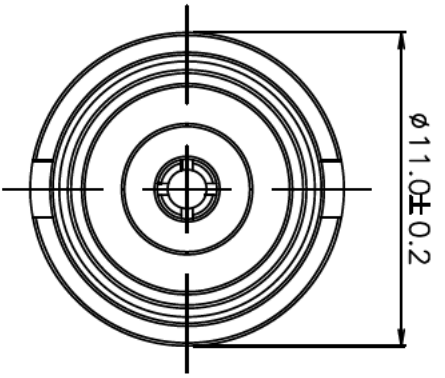
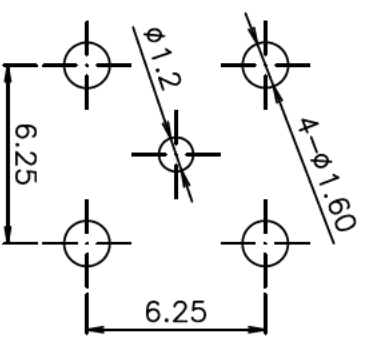
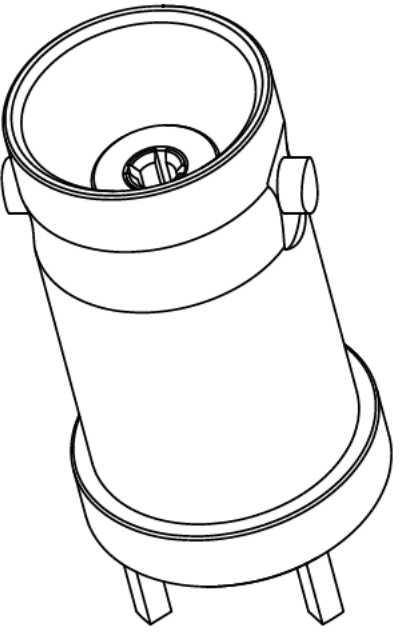


ROHS

NOTE: BNC Female Jack PCB Mount 50 Ohm



NOTE:  
4.5 CHANGE 3.5



P.C.B LAYOUT  $\pm 0.02$

1	brass	gold
2	POM	
3	brass	nickel
	Material	Plated

**SCHMID-M**

APPROVED	GLAZE	DRAWING	DESIGN	TITLE	BNC CONNECTORS	UNITS	mm	SCALE	4:1
		L.Y.C	L.Y.C	PART NO.	BNC-5202m-TGN	$\Delta$			
				GLAZE		$\Delta$			
				MATERIAL		$\Delta$		2022/02/15	A
						SYE		DATE	REV.