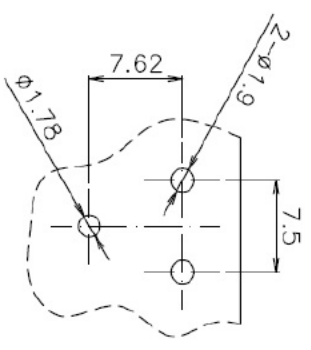
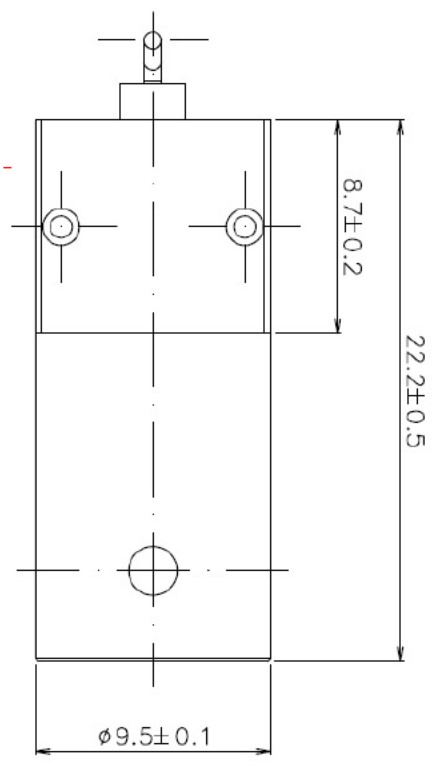
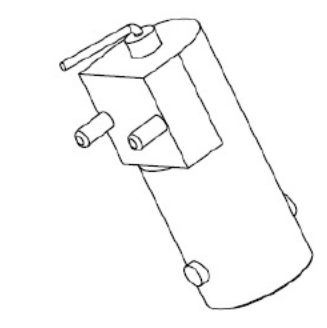
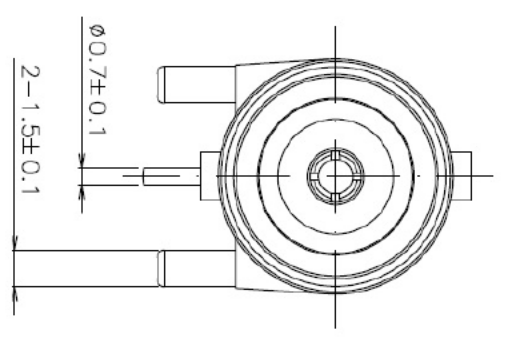
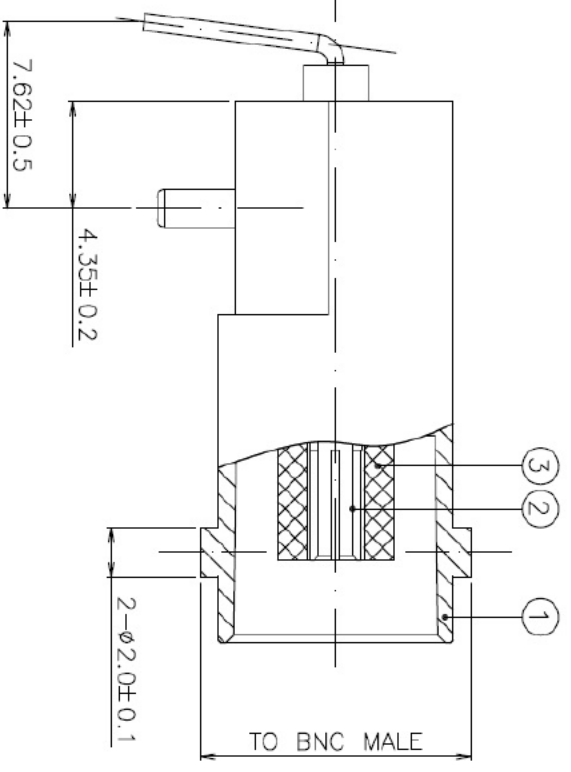
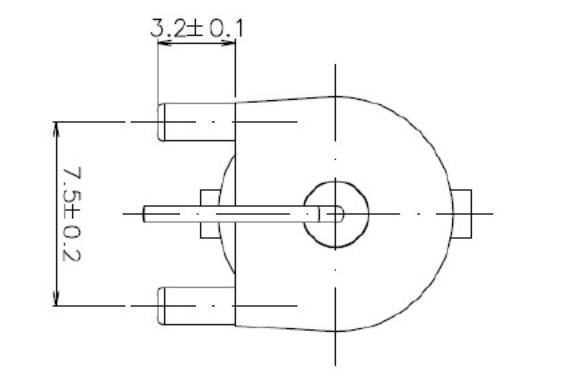


NOTE: BNC FEMALE RINGT ANGLE TO PCB



P.C.B LAYOUT

Material	Plated
1 zinc	nickel
2 brass	gold
3 pom	
4	

SCHMID-M				TITLE	BNC Female Ringt Angle to PCB	UNITS	mm	SCALE	4:1
APPROVED	GLAZE	DRAWING	DESIGN	PART NO.	BNC-5209-TGN	UNITS			
Waier		Werner	Bauer	DRAWING NO.					
				GLAZE					
				MATERIAL					

APPROVED	GLAZE	DRAWING	DESIGN	DRAWING NO.	GLAZE	MATERIAL	SYE	DATE	REV.
Waier		Werner	Bauer				△	2008/07/09	A