

Materials:

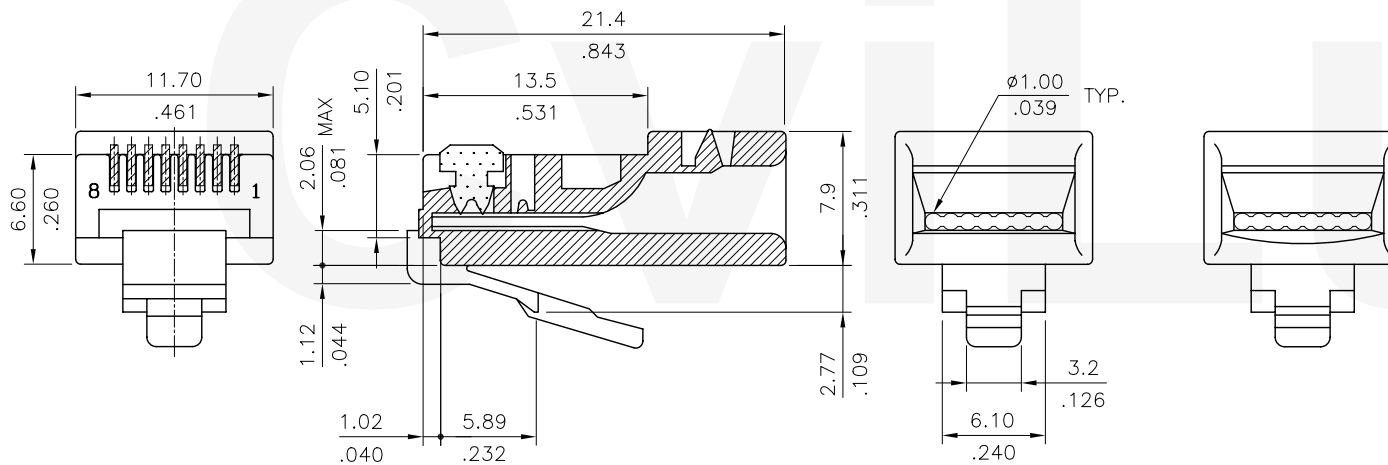
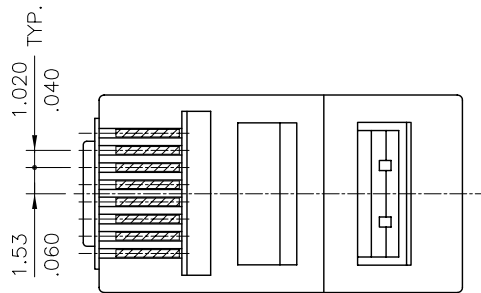
* Insulator: Polycarbonate UL 94V-2

* Contact: Phosphor Bronze

Ordering Code:

CJP2 88 3 1 0 R 0
① ② ③ ④ ⑤ ⑥ ⑦

- ① Series No.
- ② Contacts: 88= 8P8C
- ③ Plating option:
2= Gold flash plated over 1.27μm(50μ")Nickel
3= 0.38μm(15μ") Gold plated over 1.27μm(50μ") Nickel
4= 0.76μm(30μ") Gold plated over 1.27μm(50μ") Nickel
5= 1.27μm(50μ") Gold plated over 1.27μm(50μ") Nickel
- ④ Latch style: 1= Standard
- ⑤ Insulator Color: 0= Nature(Clear)
- ⑥ Cable type: F= Flat-oval Cable
R= Round Cable
- ⑦ Other option: 0= Without Shield



Flat-oval Cable
(P/N: CJP288*10F0)

Round Cable
(P/N: CJP288*10R0)

④						DATE	UNIT: mm / inch	TITLE: STANDARD 8 POSITION MODULAR PLUG	 瀚荃股份有限公司 CviLux Corporation	
③					DRAWN BY: Alphonse	11/7-02'	TOLERANCE UNLESS OTHERWISE SPECIFIED			MATERIAL:
②					ENGINEER: Eisley	11/8-02'	.X ± 0.25/010	X* ± 1'		
①					CHECKED BY: David	11/11-02'	.XX ± 0.15/006	.X* ±		FINISH:
SYM	NAME	DATE	REVISIONS		APPROVED BY: Alex	11/11-02'	.XXX ± 0.08/003	.XX* ±		
									SCALE 3 / 1	SHEET 1 OF 1