

Data sheet

PR015xxVBVC Typ 027

Page 1/5

P/N
310271xx

xx=number of poles

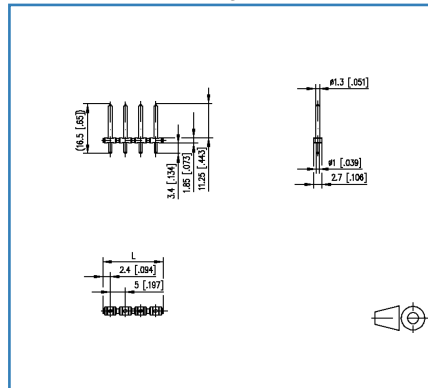
2019/10/24

Version: R

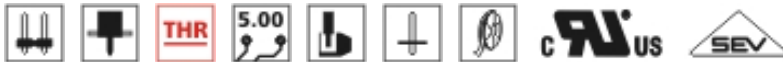
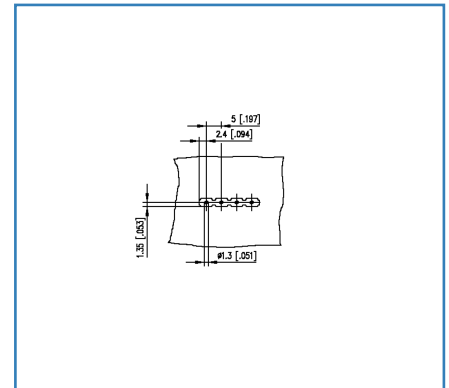
Illustrations



Dimensional drawing



Drill pattern



See enlarged drawings at the end of document

Product specification



- pin header, THR solderable
- centerline 5.00 mm, direction of connection vertical 0°
- fittable without loss of poles
- color black
- Tape & Reel packaging

Technical Data

General Data

Solder pin length	3.4 mm		
min. number of poles	2		
max. number of poles	24		
Insulating material class	CTI 400		
clearance/creepage dist.	3.7 mm		
protection category	IP00		
Overvoltage category	III	III	II
Pollution degree	3	2	2
Rated voltage	250 V	500 V	500 V
Rated test voltage	4 kV	4 kV	4 kV

Approvals

 V / A	300 / 15
approval UL - File No.	E121004
 SEV Reg 130002	250 V / 4 kV / 10 A / 1.0 mm

Material

insulating material	PA46
flammability class	V0
contact pin material	CuZn
contact pin surface	Ni + Ag
Glow-Wire Flammability GWFI	-
Glow-Wire Flammability GWIT	-
REACH - substance (SVHC)	Lead / 7439-92-1

Climatic Data

upper limit temperature	105 °C
lower limit temperature	-40 °C

General

Tolerance	ISO 2768 -mH
Solderability	Acc. to IPC/JEDEC J-STD-020D-MSL 1



Data sheet
PR015xxVBVC Typ 027

Page 3/5

P/N
310271xx**xx=number of poles**

2019/10/24

Version: R

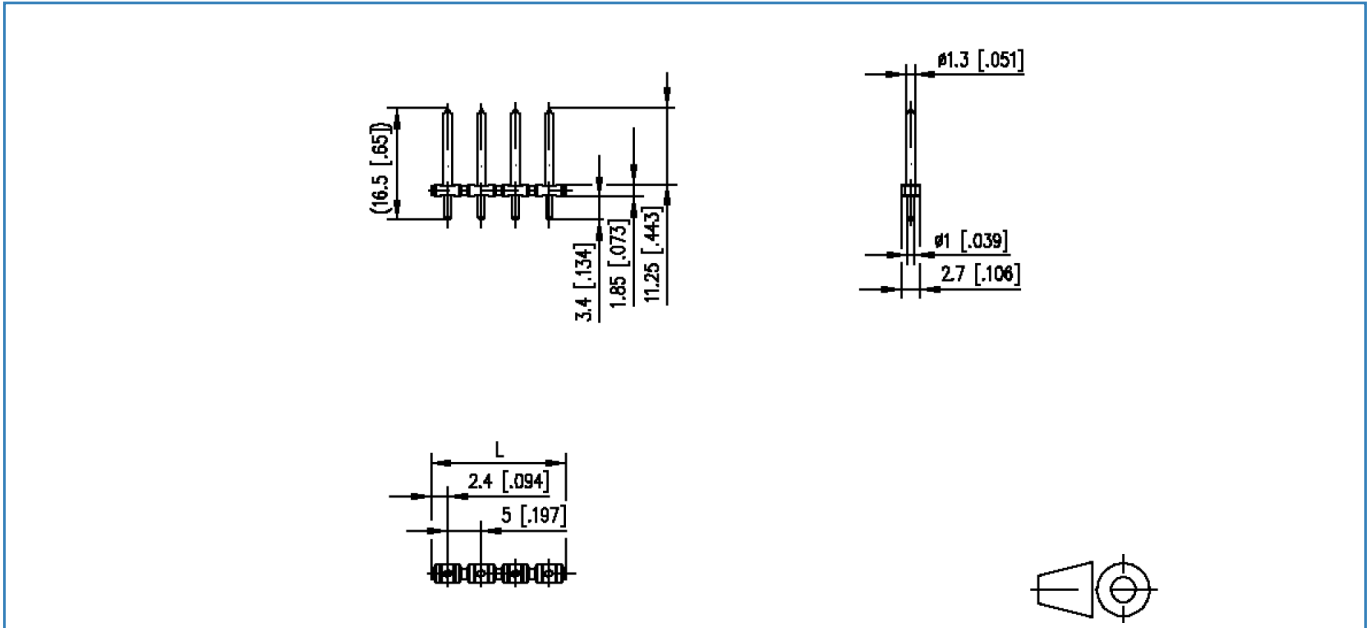
Counterpart of

P/N	Designation
310071	RP025xxIBWC Typ 007
310261	FT085xxVBFC Type 026
310771	RP025xxIBWU Typ 077
311071	RP025xxHBWC Typ 107
311371	RP025xxIBLC Typ 137
ASP145XX22-131	SP145xxHBPC0001
ASP155XX22-131	SP155xxHBPC0001



Illustrations

Dimensional drawing

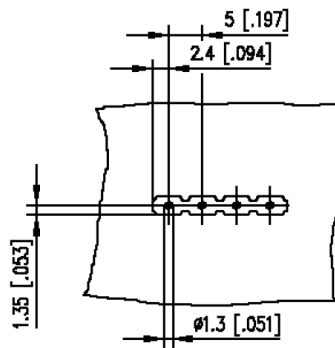


$L = (\text{pole size} - 1) \times \text{centerline} + 4.8 \text{ mm} [0.189]$

© 2019 METZ CONNECT - Technische Änderungen vorbehalten! Subject to modifications! Sous réserve de modifications techniques!

Illustrations

Drill pattern



© 2019 METZ CONNECT - Technische Änderungen vorbehalten! Subject to modifications! Sous réserve de modifications techniques!

