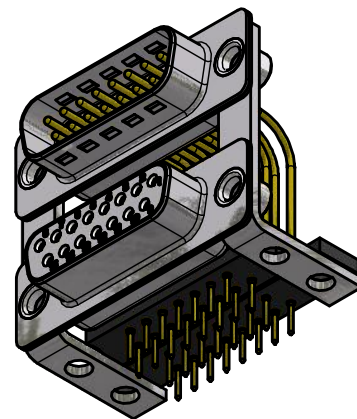
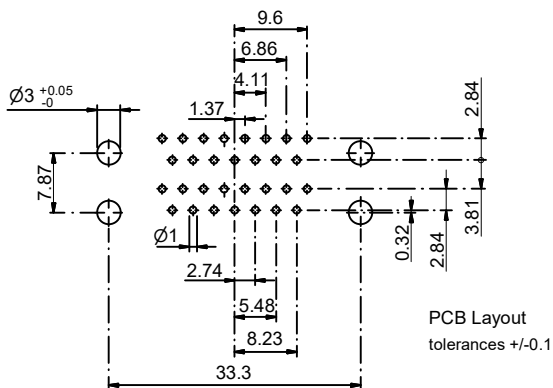
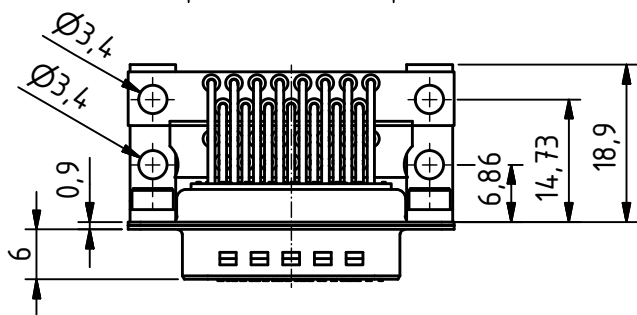
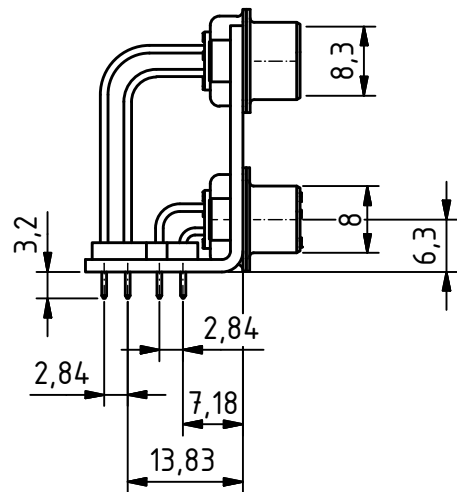
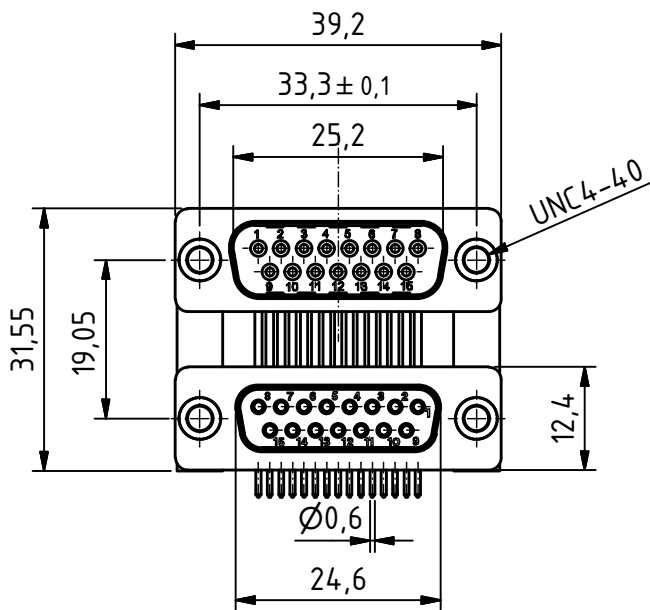


RoHS compliant



Product is suitable for Wave Solder Process

MATERIALS

- Insulator: Thermoplastic UL 94-V-0 white
- Contact: Machined / Copper alloy
- Contact finish: Quality class 2
- Shell: steel tin plated

CHARAKTERISTICS

- Working voltage: 125V
- Current rating: 5A
- Contact resistance: max. 10mΩ - DIN41652
- Insulation resistance: >5GΩ
- Temperature range: -55° to +125°C

General tolerances (Deltron standard)	
size in mm	
> 0.5	> 30
up to 3	up to 6
up to 3	up to 30
up to 6	up to 120
tolerances	
±0.1	±0.2
±0.2	±0.3

	All dimensions in mm	Rev.	Rev.	Rev.	DE010363		
		Rev.	Rev.	Rev.	part no.		
DPB15PN70/15SN70-S/2				1.5:1	drawn	13.03.2013	mw
				scale	checked		
					approved		
				Industrie Neuhof 8c CH-3422 Kirchberg www.d-sub.swiss		K060164	
						drawing no.	