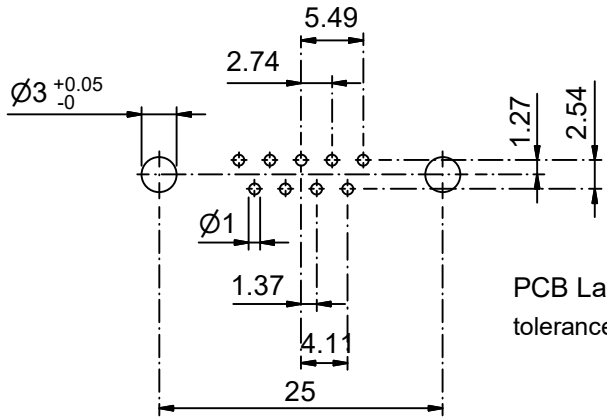
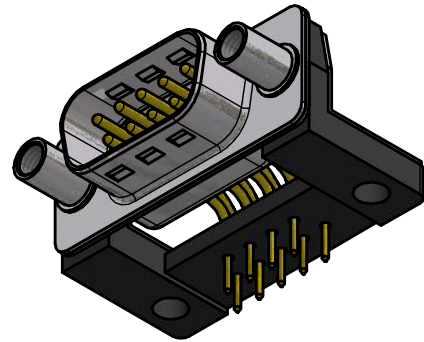
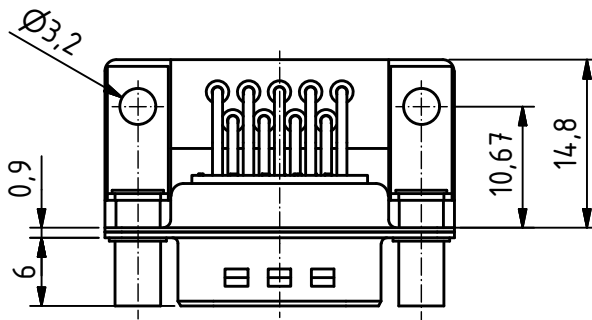
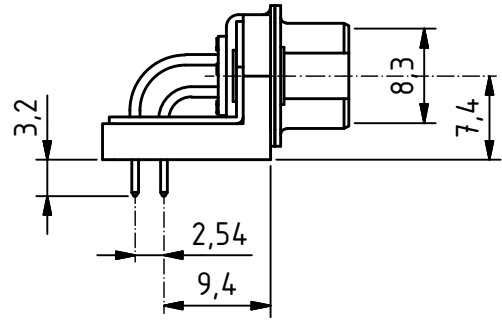
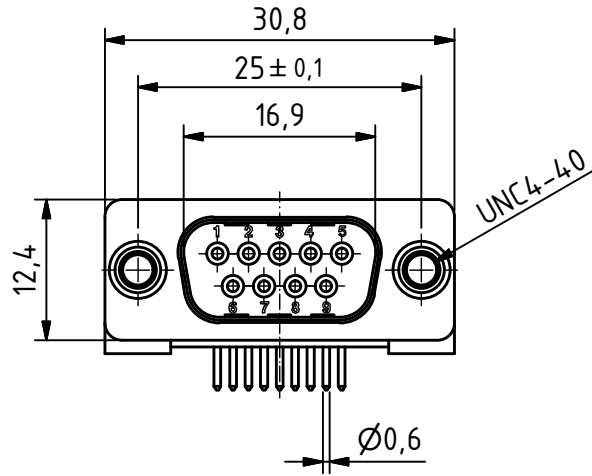


RoHS compliant



PCB Layout tolerances +/-0.1

MATERIALS

- Insulator: Thermoplastic UL 94-V-0 white
- Contact: Machined / Copper alloy
- Contact finish: Quality class 2
- Shell: steel tin plated

CHARAKTERISTICS

- Working voltage: 125V
- Current rating: 7.5A
- Contact resistance: max. 10mΩ - DIN41652
- Insulation resistance: >5GΩ
- Temperature range: -55° to +125°C

Product is suitable for Wave Solder Process

General tolerances (Deltron standard)	
size in mm	
> 0.5	> 30
up to 3	up to 30
up to 6	up to 120
tolerances	
±0.1	±0.2
	±0.3

	All dimensions in mm	Rev. a) 24.04.2003 mr	Rev.	Rev.	DE002554		
		Rev.	Rev.	Rev.	part no.		
DTS09PYC/2M66UN				1.5:1 scale	drawn	24.04.2013	mw
					checked		
				approved			
				Industrie Neuhof 8c CH-3422 Kirchberg www.d-sub.swiss		K053002 a	
						drawing no.	