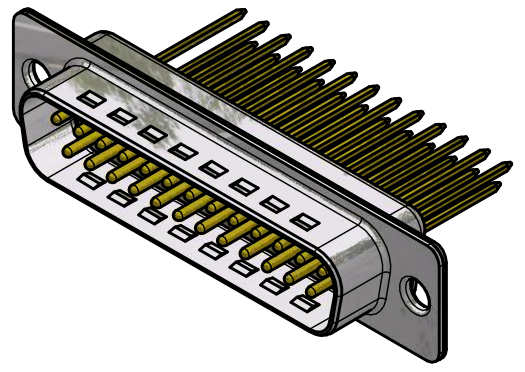
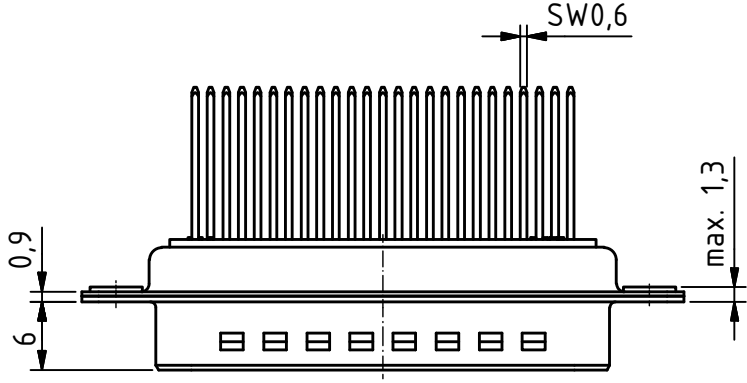
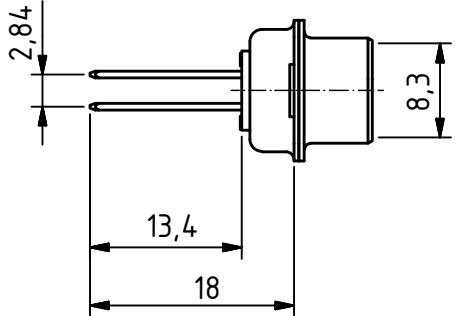
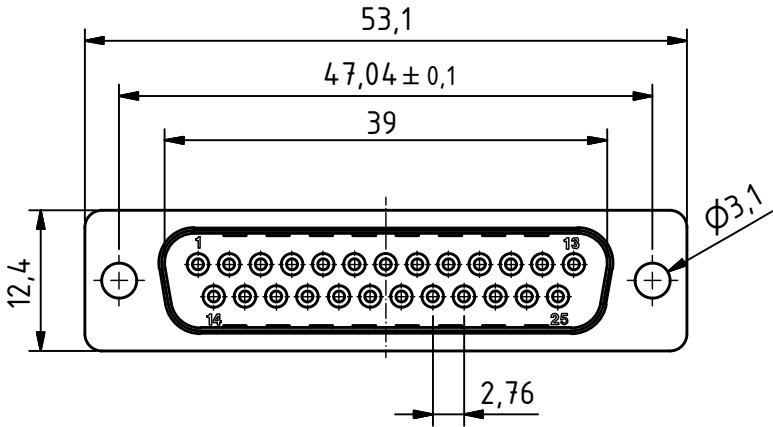


RoHS compliant



MATERIALS

- Insulator: Thermoplastic UL 94-V-0 white
- Contact: Machined / Copper alloy
- Contact finish: Quality class 2
- Shell: steel tin plated

CHARAKTERISTICS

- Working voltage: 125V
- Current rating: 7.5A
- Contact resistance: max. 10mΩ - DIN41652
- Insulation resistance: >5GΩ
- Temperature range: -55° to +125°C

General tolerances (Delttron standard)			
size in mm			
> 0.5	> 3	> 6	> 30
up to 3	up to 6	up to 30	up to 120
tolerances			
±0.1	±0.2	±0.2	±0.3

	All dimensions in mm	Rev.	Rev.	Rev.	DE002782		
		Rev.	Rev.	Rev.	part no.		
DTS25PW3/2				1.5:1	drawn	07.06.2012	mr
					checked		
				1.5:1	approved		
					Industrie Neuhof 8c CH-3422 Kirchberg www.d-sub.swiss		