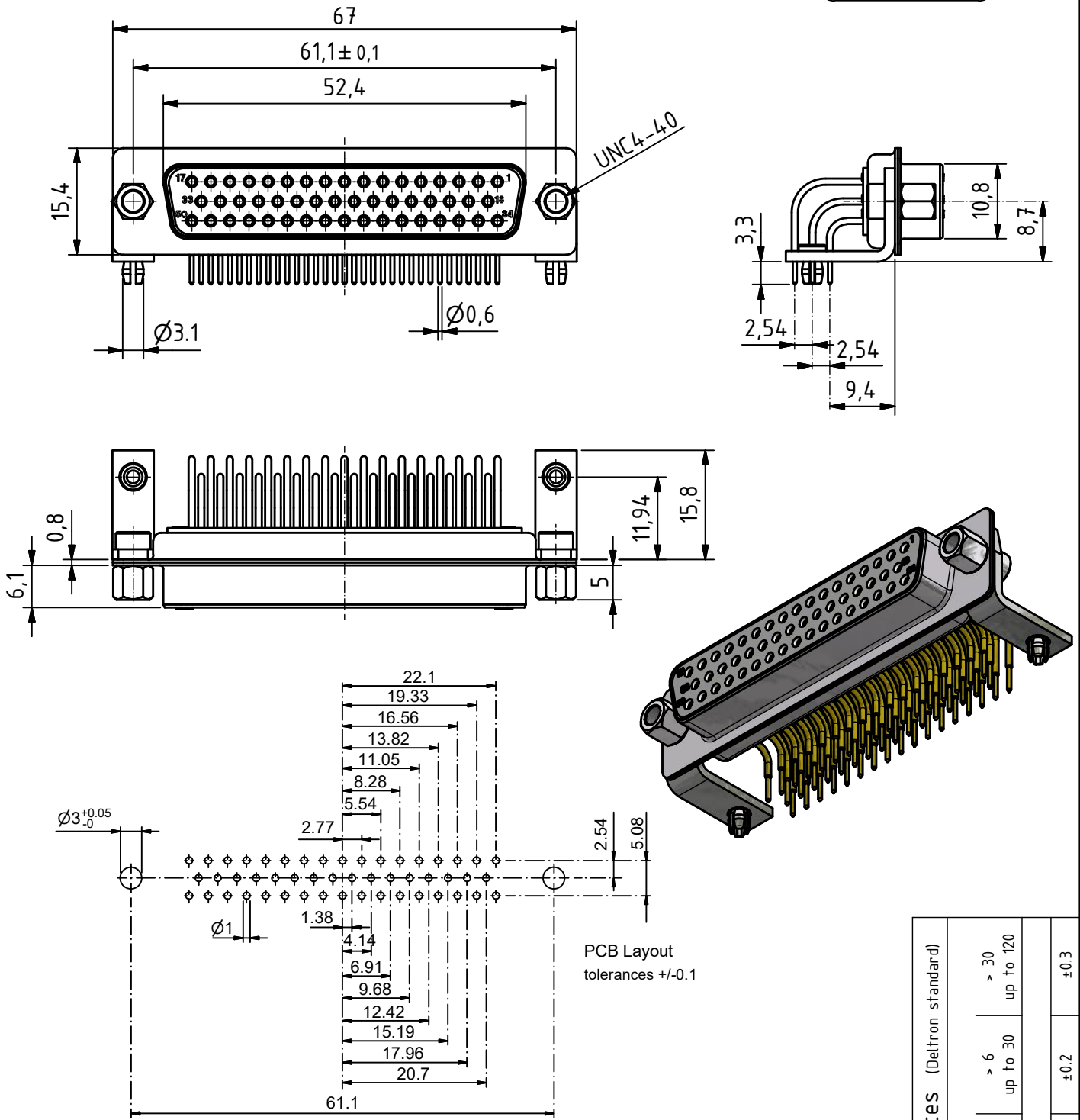


RoHS compliant



MATERIALS

- Insulator: Thermoplastic UL 94-V-0 white
- Contact: Machined / Copper alloy
- Contact finish: Quality class 2
- Shell: steel tin plated

CHARAKTERISTICS

- Working voltage: 125V
- Current rating: 7.5A
- Contact resistance: max. 10mΩ - DIN41652
- Insulation resistance: >5GΩ
- Temperature range: -55° to +125°C

General tolerances (Deltron standard)		size in mm		tolerances	
> 0.5	up to 3	> 3	up to 6	±0.1	±0.2
> 6	up to 30	> 30	up to 120	±0.2	±0.3

	All dimensions in mm	Rev.	Rev.	Rev.	DE016291		
		Rev.	Rev.	Rev.	part no.		
DTS50SYC/2M47UNB5				1.2:1 scale	drawn	14.01.2019	rop
					checked		
					approved		
				Industrie Neuhof 8c CH-3422 Kirchberg www.d-sub.swiss		K063347	
						drawing no.	