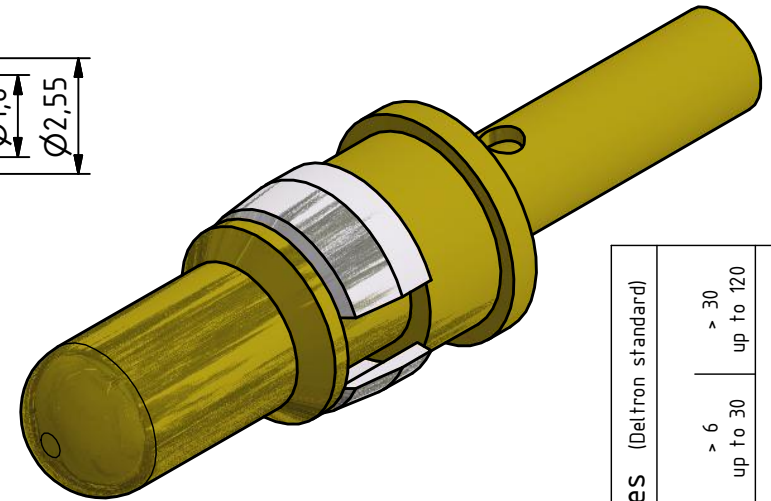
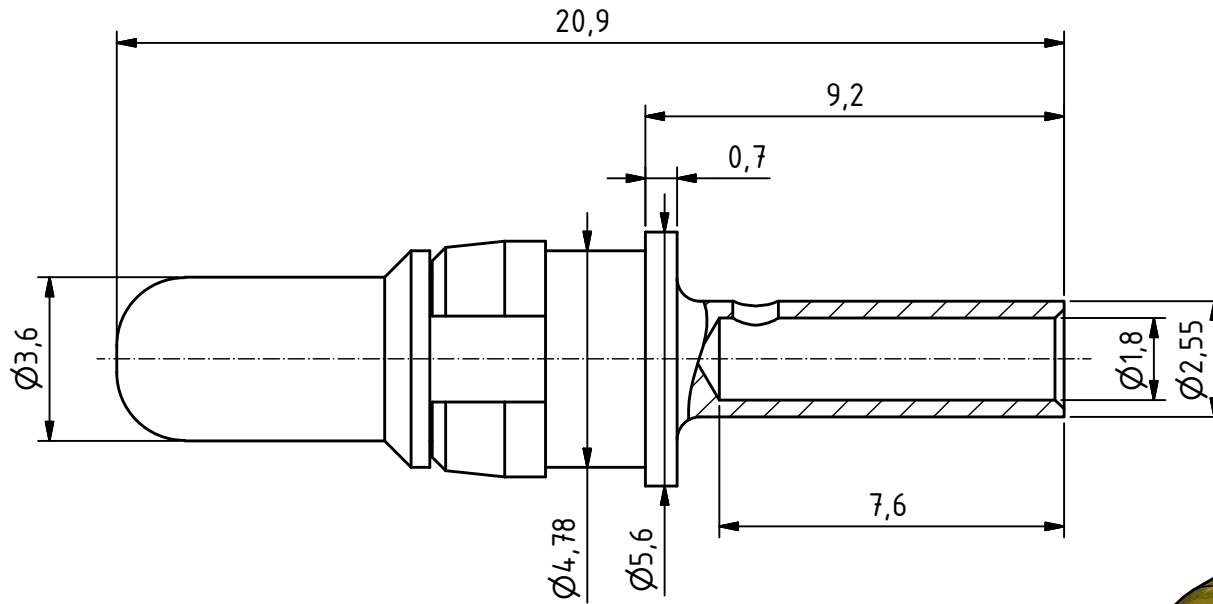


RoHS compliant



General tolerances (Deltron standard)			
size in mm		tolerances	
> 0.5	> 3	> 6	> 30
up to 3	up to 6	up to 30	up to 120
±0.1	±0.2	±0.2	±0.3

MATERIALS

- Contact: Copper alloy
- Contact finish: Quality class 2

CHARACTERISTICS

- Current rating: 10A
- Suitable for cable AWG 16

	All dimensions in mm	Rev.	Rev.	Rev.	DE003565		
		Rev.	Rev.	Rev.	part no.		
HPC-PX1/2-10A				6:1 scale	drawn	05.02.2013	mr
					checked		
					approved		
				Industrie Neuhof 8c CH-3422 Kirchberg www.d-sub.swiss		K061160	
CONNECT 2 CUSTOMIZE						drawing no.	