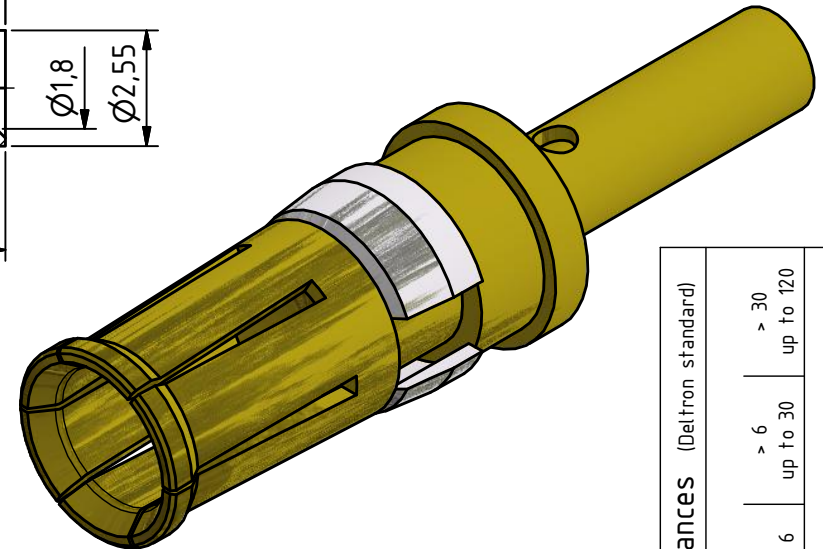
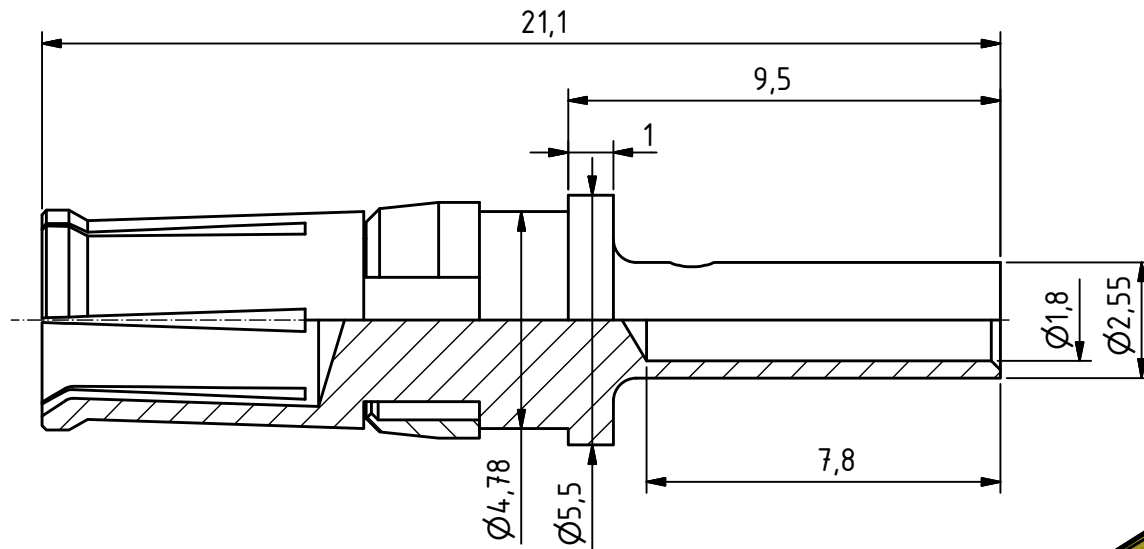


RoHS compliant



General tolerances (Deltron standard)			
size in mm		tolerances	
> 0.5	> 3	> 6	> 30
up to 3	up to 6	up to 30	up to 120
±0.1	±0.2	±0.2	±0.3

MATERIALS

- Contact: Copper alloy
- Contact finish: Quality class 2

CHARACTERISTICS

- Current rating: 10A
- Suitable for cable AWG 16

	All dimensions in mm	Rev.	Rev.	Rev.	DE007974 part no.			
		Rev.	Rev.	Rev.				
HPC-SX1/2-10A					6:1 scale	drawn	06.02.2013	mr
						checked		
						approved		
					K061174 drawing no.			
Industrie Neuhof 8c CH-3422 Kirchberg www.d-sub.swiss								