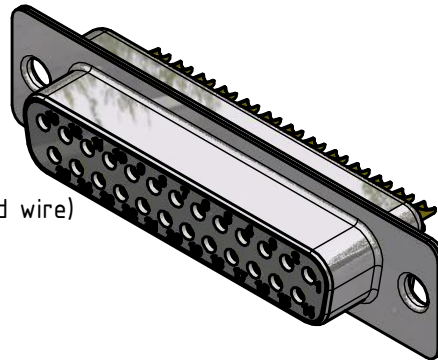
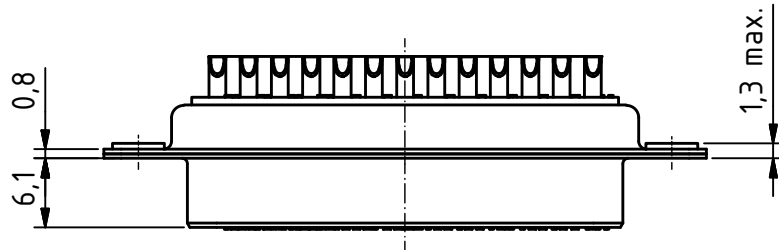
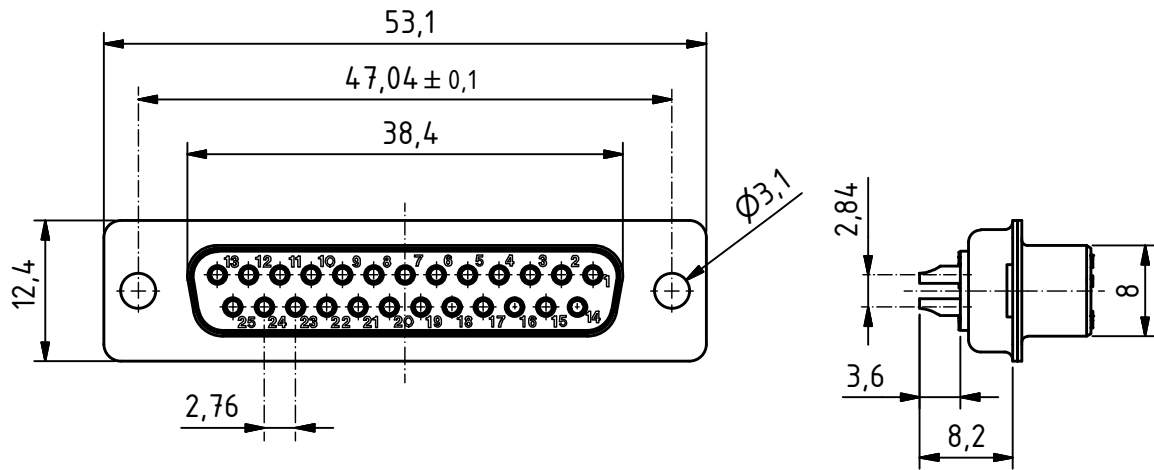


RoHS compliant



suitable for cable AWG 18 (single solid wire)

General tolerances (Deltron standard)			
size in mm	> 0.5	> 3	> 30
	up to 3	up to 6	up to 120
tolerances	±0.1	±0.2	±0.3

MATERIALS

- Insulator: Thermoplastic UL 94-V-0 white
- Contact: Machined / Copper alloy
- Contact finish: Quality class 2
- Shell: steel - zinc blue chromated

CHARAKTERISTICS

- Working voltage: 125V
- Current rating: 7.5A
- Contact resistance: max. 10mΩ - DIN41652
- Insulation resistance: >5GΩ
- Temperature range: -55° to +125°C

	All dimensions in mm	Rev.	Rev.	Rev.	DE002183		
		Rev.	Rev.	Rev.	part no.		
DT25SZ/2				1.5:1	drawn	24.02.2011	nf
				scale	checked		
					approved		
				Industrie Neuhof 8c CH-3422 Kirchberg www.d-sub.swiss		K050010	
						drawing no.	