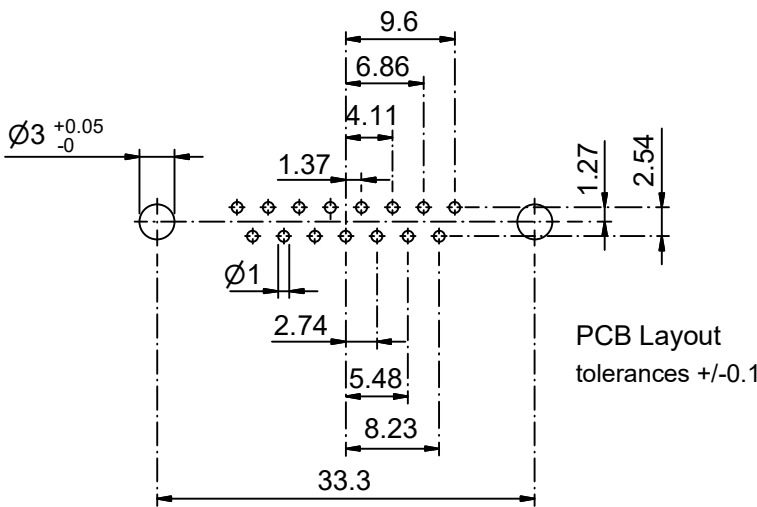
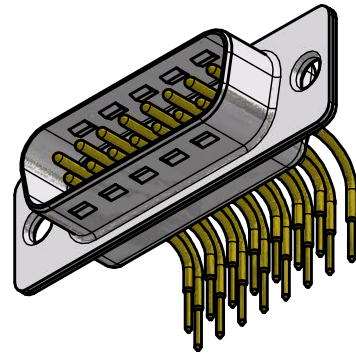
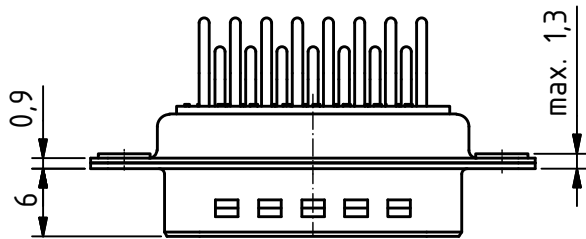
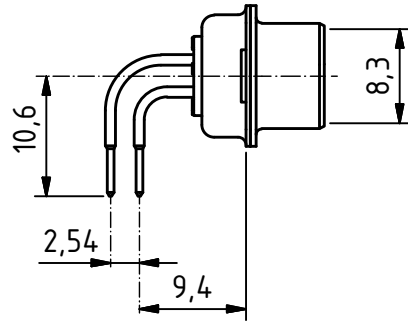
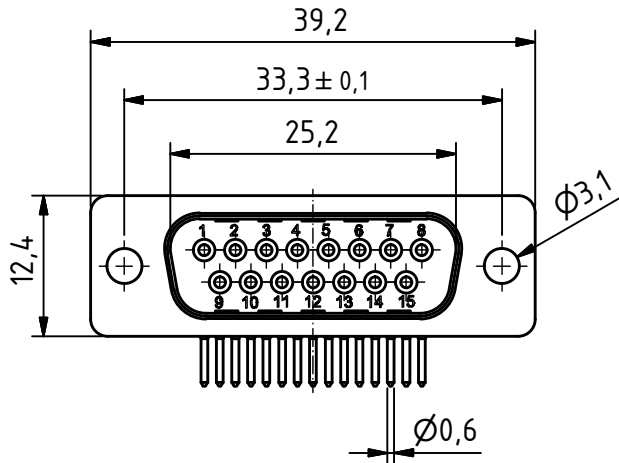


RoHS compliant



**MATERIALS**

- Insulator: Thermoplastic UL 94-V-0 white
- Contact: Machined / Copper alloy
- Contact finish: Quality class 2
- Shell: steel tin plated

**CHARAKTERISTICS**

- Working voltage: 125V
- Current rating: 7.5A
- Contact resistance: max. 10mΩ - DIN41652
- Insulation resistance: >5GΩ
- Temperature range: -55° to +125°C

Product is suitable for Wave Solder Process

General tolerances (Deltron standard)	
size in mm	tolerances
> 0.5	±0.1
up to 3	±0.2
> 3	±0.2
up to 6	±0.2
> 6	±0.2
up to 30	±0.2
> 30	±0.3
up to 120	±0.3

	All dimensions in mm	Rev. a) 28.06.2009 mr	Rev.	Rev.	DE001307 part no.	
		Rev.	Rev.	Rev.		
DTS15PYC/2			1.5:1 scale	drawn	01.03.2006	mr
				checked		
			approved			
			Industrie Neuhof 8c CH-3422 Kirchberg www.d-sub.swiss		K050067 a drawing no.	