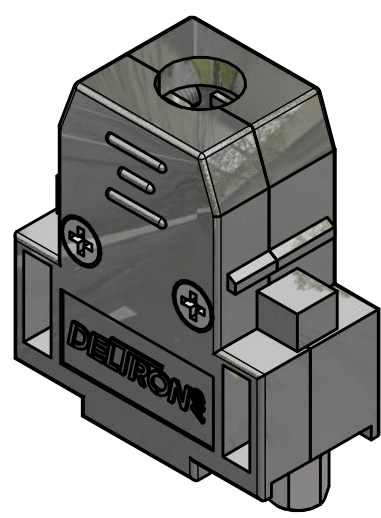
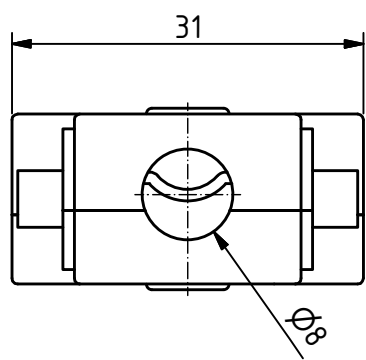
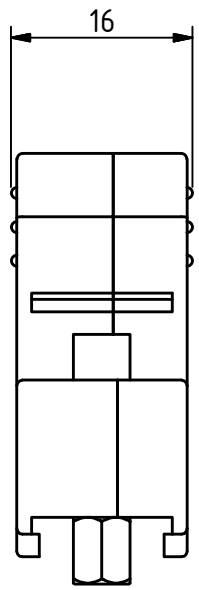
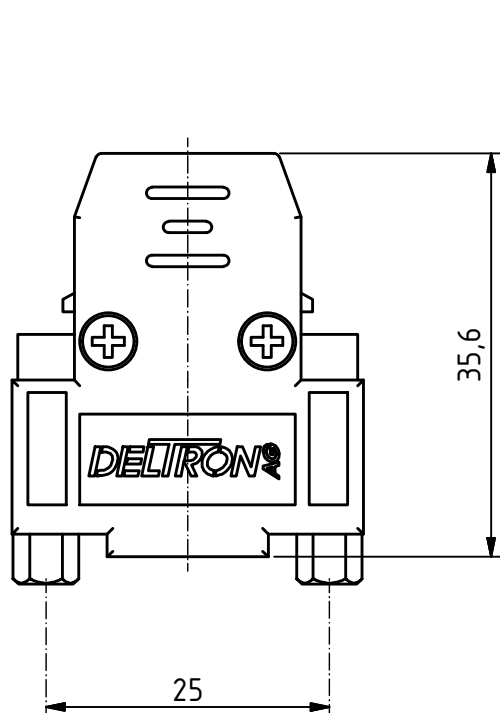


RoHS compliant



MATERIALS

- Hood: thermoplastic metallized

CHARACTERISTICS

- Temperature range: -40°C to +85°C
 - Housing screw: with pressed in grommet
 - Straight cable outlet
 - Preassembled metal strain relief
 - Prolongation UNC4-40
 - Attenuation: min. 40 db at 100Mhz
- Set packed in bag

General tolerances (Deltron standard)			
size in mm			
> 0.5	> 3	> 6	> 30
up to 3	up to 6	up to 30	up to 120
tolerances			
±0.1	±0.2	±0.2	±0.3

	All dimensions in mm	Rev.	Rev.	Rev.	DE007430 part no.
		Rev.	Rev.	Rev.	
CTLM09RUN4				1.5:1 scale	drawn 03.02.2010 mr
					checked
				approved	
			Industrie Neuhof 8c CH-3422 Kirchberg www.d-sub.swiss		K050871 drawing no.