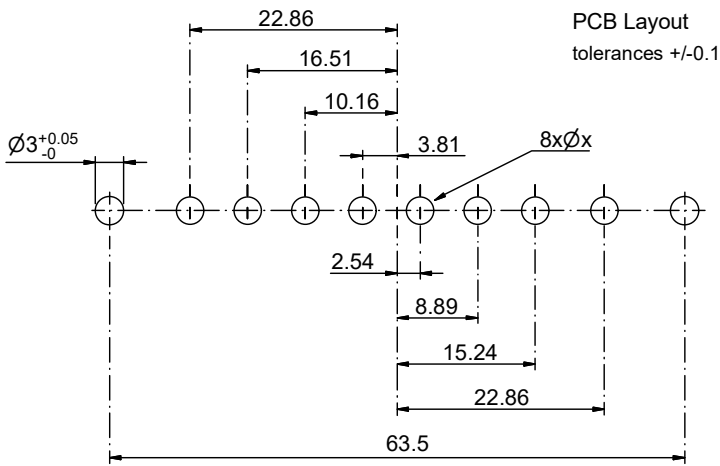
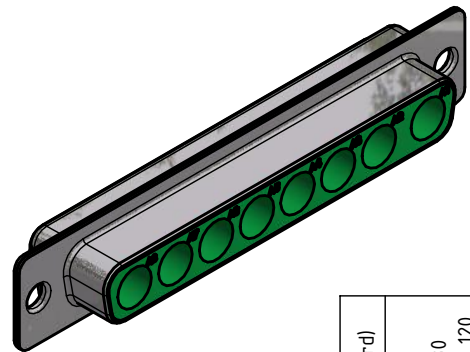
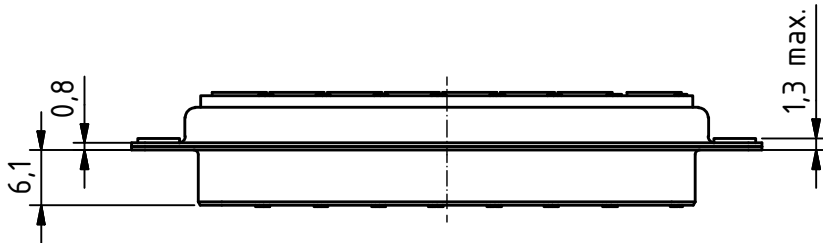
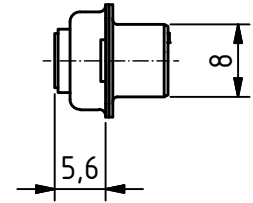
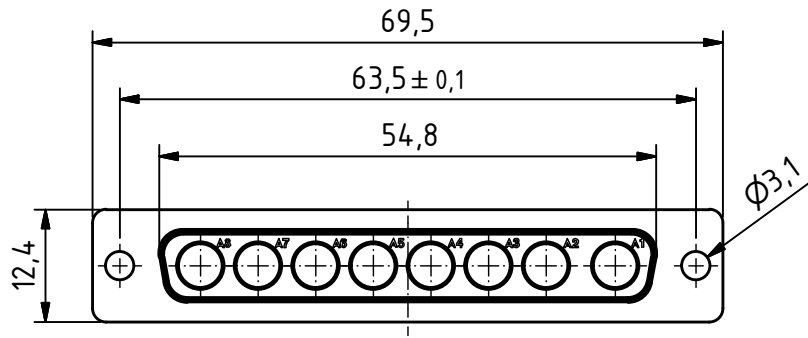


RoHS compliant



MATERIALS

- Insulator: Thermoplastic UL 94-V-0 green
- Shell: steel tin plated

CHARAKTERISTICS

- Insulation resistance: >5GΩ
- Temperature range: -55° to +125°C

General tolerances (Deltron standard)		
size in mm		
> 0.5	> 3	> 30
up to 3	up to 6	up to 120
tolerances		
±0.1	±0.2	±0.3
	±0.2	±0.2
		±0.3

	All dimensions in mm	Rev.	Rev.	Rev.	DE003829		
		Rev.	Rev.	Rev.	part no.		
DTS8W8S				1.2:1 scale	drawn	06.05.2011	nf
					checked		
					approved		
				Industrie Neuhof 8c CH-3422 Kirchberg www.d-sub.swiss		K051064	
						drawing no.	