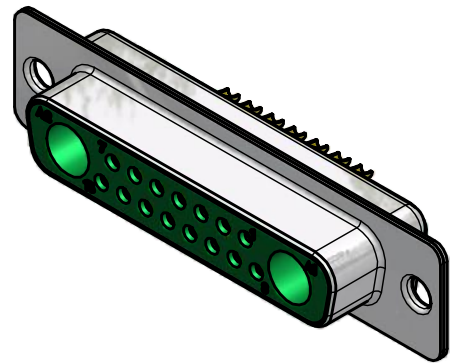
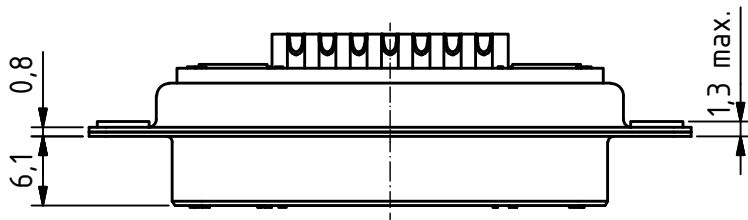
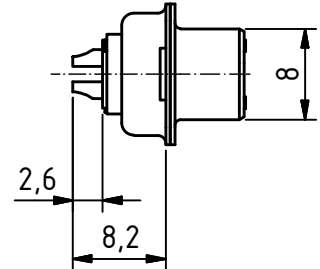
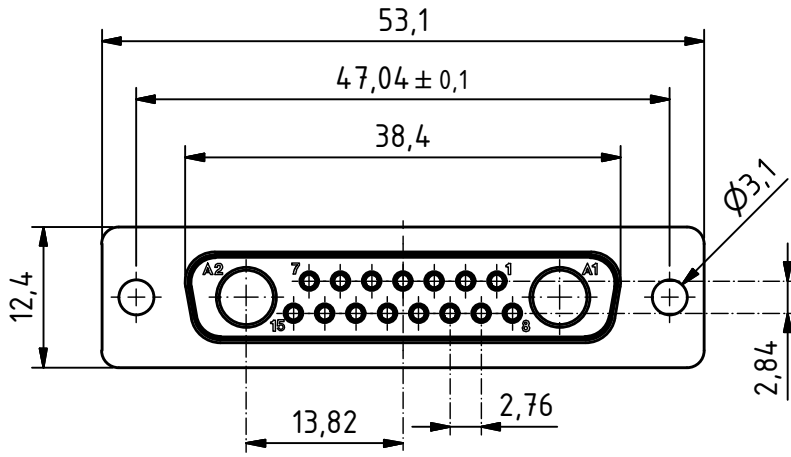


RoHS compliant



suitable for cable AWG 18 (single solid wire)

**MATERIALS**

- Insulator: Thermoplastic UL 94-V-0 green
- Contact: Machined / Copper alloy
- Contact finish: Quality class 2
- Shell: steel tin plated

**CHARAKTERISTICS**

- Working voltage: 125V
- Current rating: 7.5A/xxA
- Contact resistance: max. 10mΩ - DIN41652
- Insulation resistance: >5GΩ
- Temperature range: -55° to +125°C

General tolerances (Deltron standard)	size in mm	> 0,5	> 3	> 6	> 30
		up to 3	up to 6	up to 30	up to 120
	tolerances				
	±0,1	±0,2	±0,2	±0,3	±0,3

	All dimensions in mm	Rev.	Rev.	Rev.	DE001935		
		Rev.	Rev.	Rev.	part no.		
DTS17W2SZ/2				1.5:1 scale	drawn	18.12.2012	mw
					checked		
				approved			
 CONNECT 2 CUSTOMIZE				Industrie Neuhof 8c CH-3422 Kirchberg <a href="http://www.d-sub.swiss">www.d-sub.swiss</a>		K051089 drawing no.	