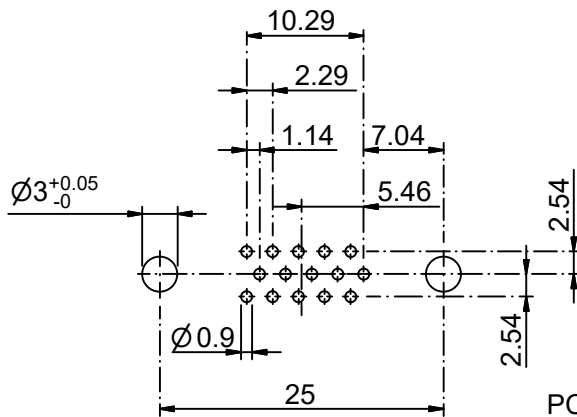
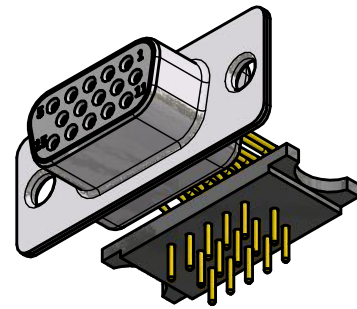
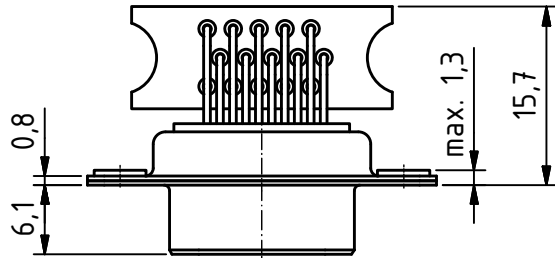
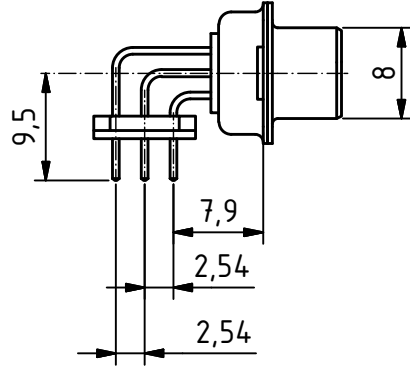
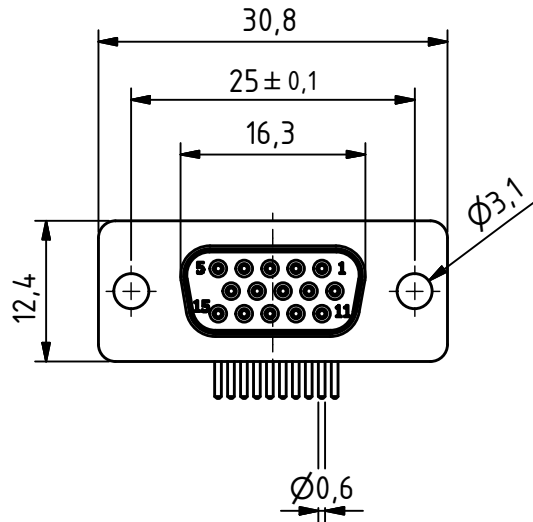


RoHS compliant



PCB Layout  
tolerances +/-0.1

Product is  
suitable for  
Wave Solder  
Process

**MATERIALS**

- Insulator: Thermoplastic UL 94-V-0 white
- Contact: Machined / Copper alloy
- Contact finish: Quality class 2
- Shell: steel tin plated

**CHARAKTERISTICS**

- Working voltage: 60V
- Current rating: 5A
- Contact resistance: max. 10mΩ - DIN41652
- Insulation resistance: >5GΩ
- Temperature range: -55° to +125°C

General tolerances (Deltron standard)			
size in mm	> 0.5 up to 3	> 3 up to 6	> 6 up to 30
tolerances	±0.1	±0.2	±0.2
			±0.3

	All dimensions in mm	Rev. a) 02.08.2018 mw	Rev.	Rev.	DE009819		
		Rev.	Rev.	Rev.	part no.		
<b>HD-D15SYC/2</b>				1.5:1 scale	drawn	23.10.2009	mr
					checked		
					approved		
				Industrie Neuhof 8c CH-3422 Kirchberg <a href="http://www.d-sub.swiss">www.d-sub.swiss</a>		<b>K060484 a</b> drawing no.	