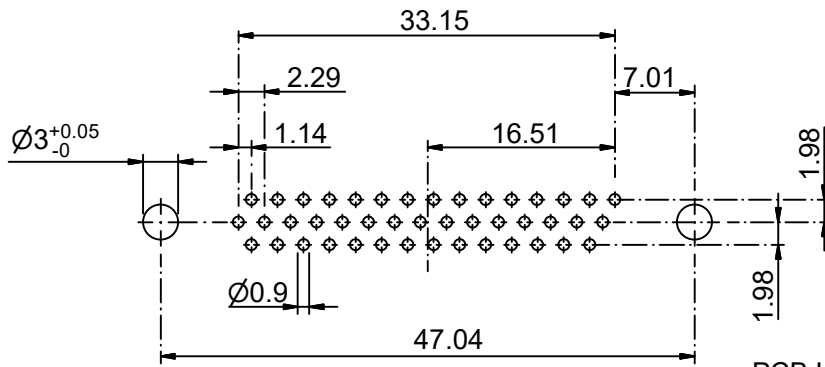
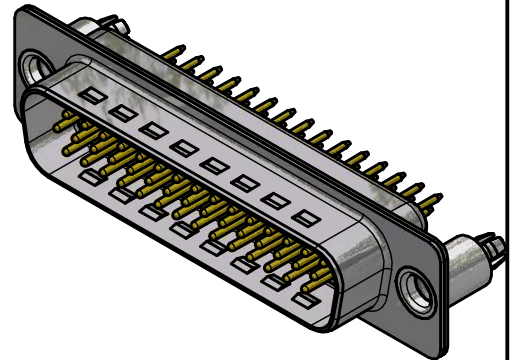
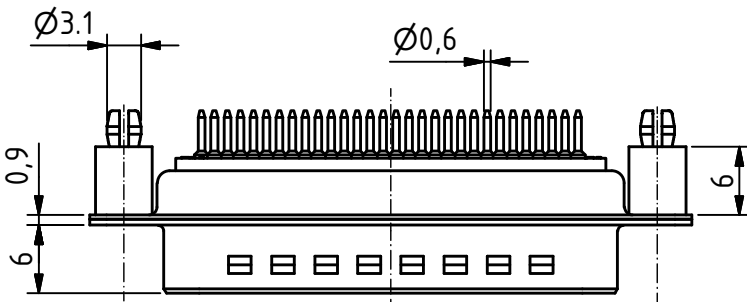
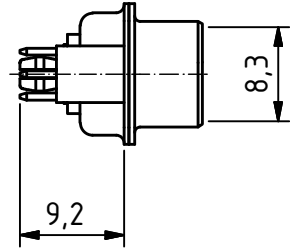
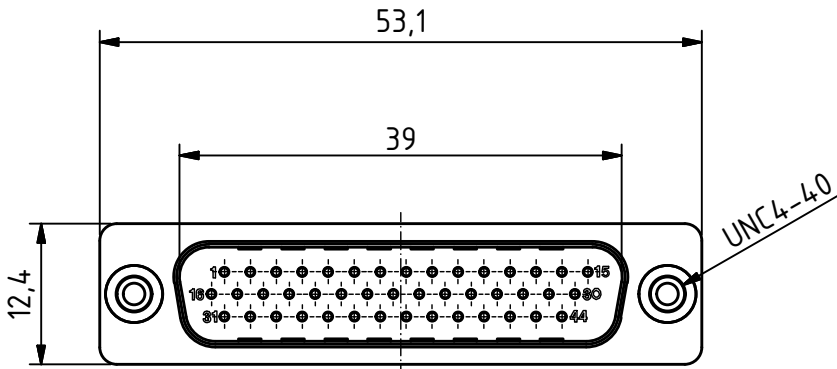


RoHS compliant



PCB Layout

tolerances +/-0.1 Product is suitable for Wave Solder Process

MATERIALS

- Insulator: Thermoplastic UL 94-V-0 white
- Contact: Machined / Copper alloy
- Contact finish: Quality class 2
- Shell: steel tin plated

CHARAKTERISTICS

- Working voltage: 60V
- Current rating: 5A
- Contact resistance: max. 10mΩ - DIN41652
- Insulation resistance: >5GΩ
- Temperature range: -55° to +125°C

General tolerances (Deltron standard)	
size in mm	tolerances
> 0.5 up to 3	±0.1
> 3 up to 6	±0.2
> 6 up to 30	±0.2
> 30 up to 120	±0.3

	All dimensions in mm	Rev.	Rev.	Rev.	DE009326		
		Rev.	Rev.	Rev.	part no.		
HD-D44PY/2M86UN				1.5:1 scale	drawn	22.01.2013	mw
					checked		
				approved			
				Industrie Neuhof 8c CH-3422 Kirchberg www.d-sub.swiss		K061102 drawing no.	