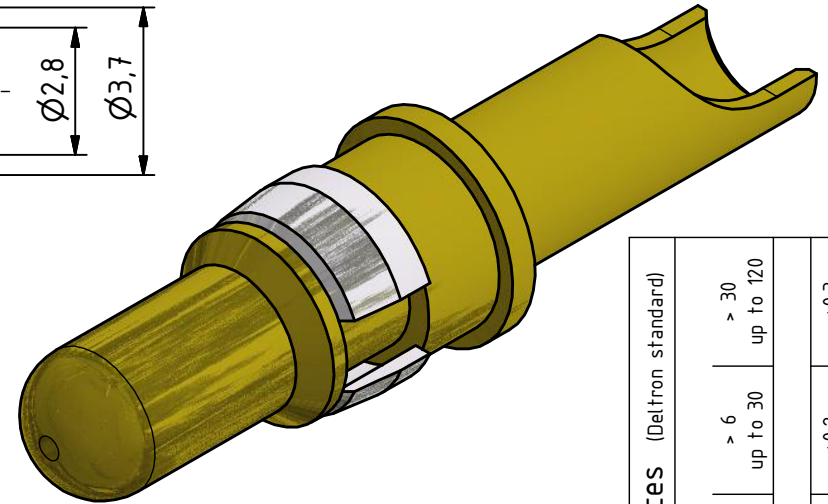
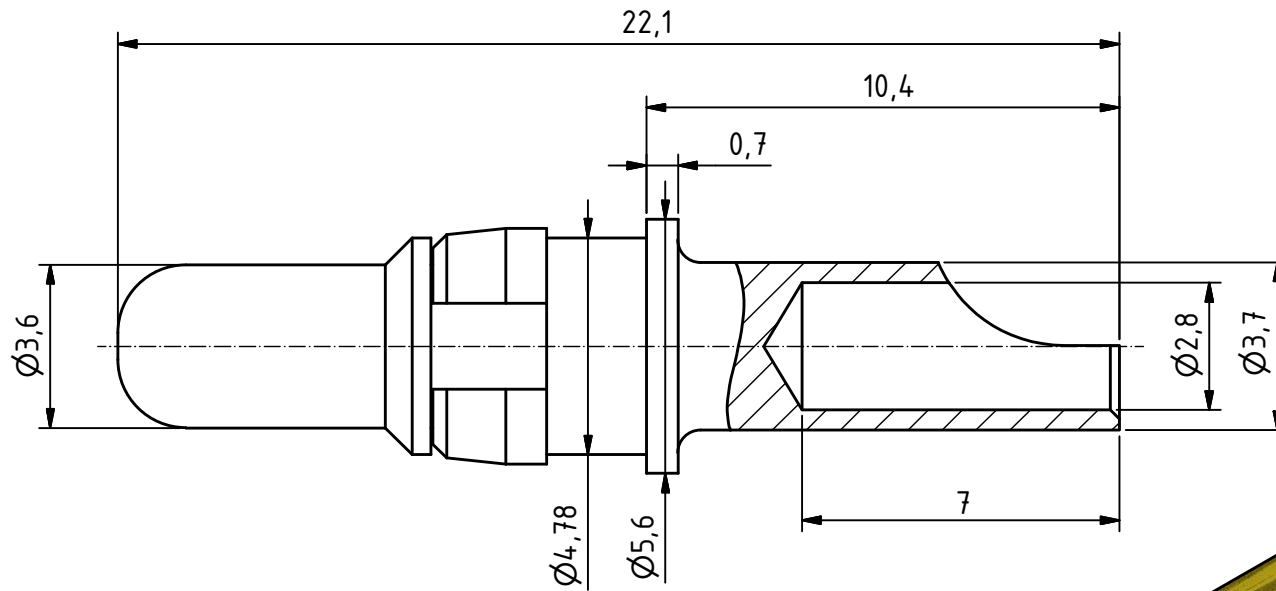


RoHS compliant



General tolerances (Deltron standard)			
size in mm			
> 0.5	> 3	> 6	> 30
up to 3	up to 6	up to 30	up to 120
tolerances			
±0.1	±0.2	±0.2	±0.3

MATERIALS

- Contact: Copper alloy
- Contact finish: Quality class 2

CHARACTERISTICS

- Current rating: 20A
- Suitable for cable AWG 12

	All dimensions in mm	Rev.	Rev.	Rev.	DE005109		
		Rev.	Rev.	Rev.	part no.		
HPC-PZ2/2-20A				6:1 scale	drawn	04.02.2013	mr
					checked		
					approved		
				Industrie Neuhof 8c CH-3422 Kirchberg www.d-sub.swiss		K061145	
CONNECT 2 CUSTOMIZE						drawing no.	