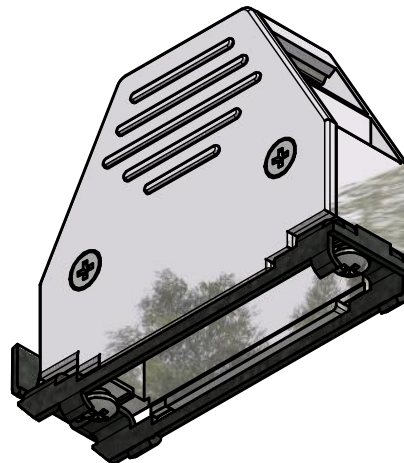
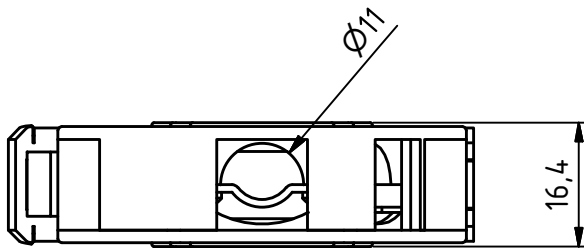
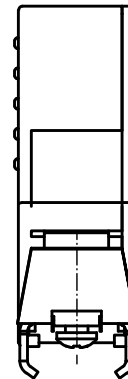
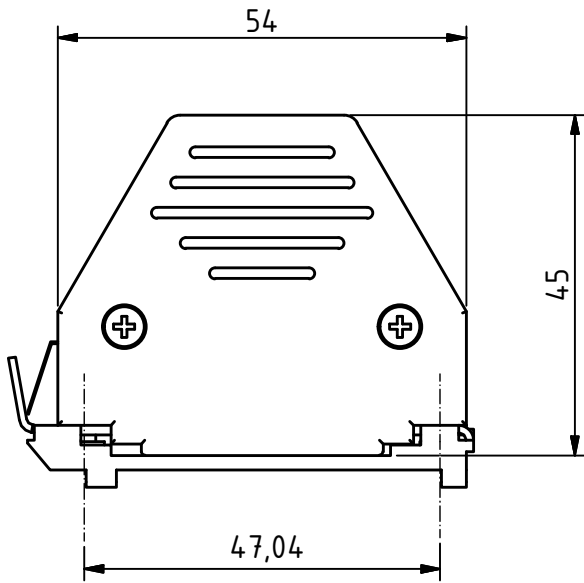


RoHS compliant



MATERIALS

- Hood: thermoplastic metallized
- Slide-lock: steel nickel plated

CHARACTERISTICS

- Temperature range: -40°C to +85°C
- Housing screw: self cutting
- Straight and side cable outlet
- With metal strain relief
- With slide-lock

-Set packed in bag

General tolerances (Deltron standard)			
size in mm	> 0.5	> 3	> 6
up to 3	±0.1	±0.2	±0.2
up to 6			±0.2
up to 30			±0.2
up to 120			±0.3
tolerances			

	All dimensions in mm	Rev.	Rev.	Rev.	DE002467 part no.
		Rev.	Rev.	Rev.	
DCEM25				1:1 scale	drawn 22.12.2015 mr checked approved
 CONNECT 2 CUSTOMIZE		Industrie Neuhof 8c CH-3422 Kirchberg www.d-sub.swiss		K062382 drawing no.	