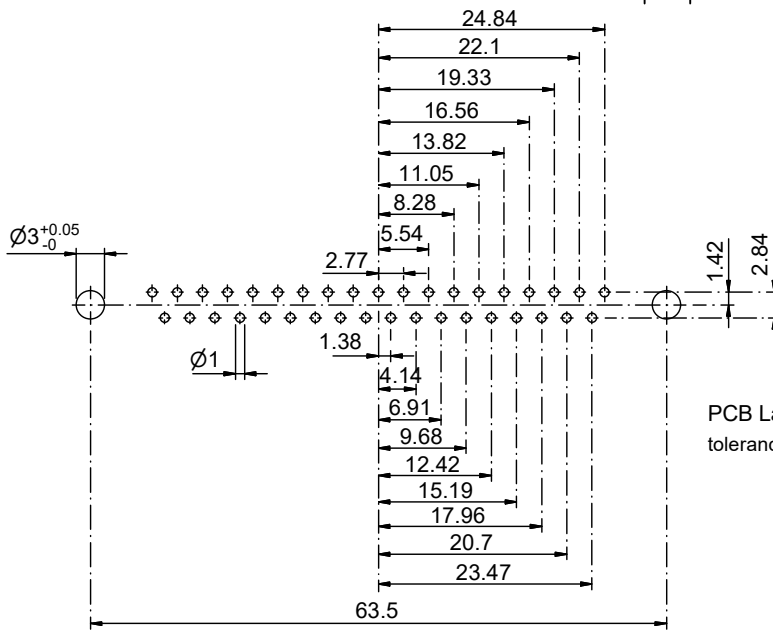
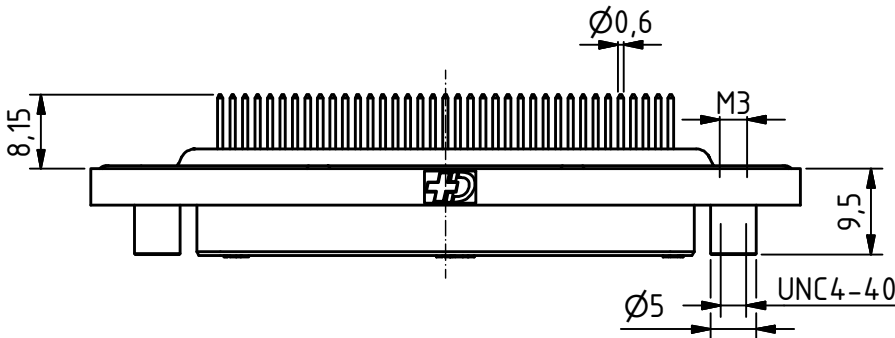
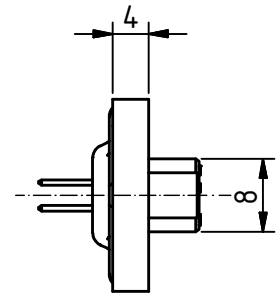
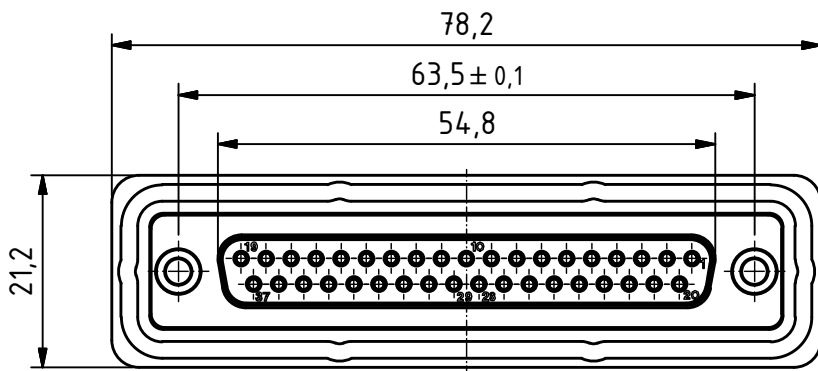
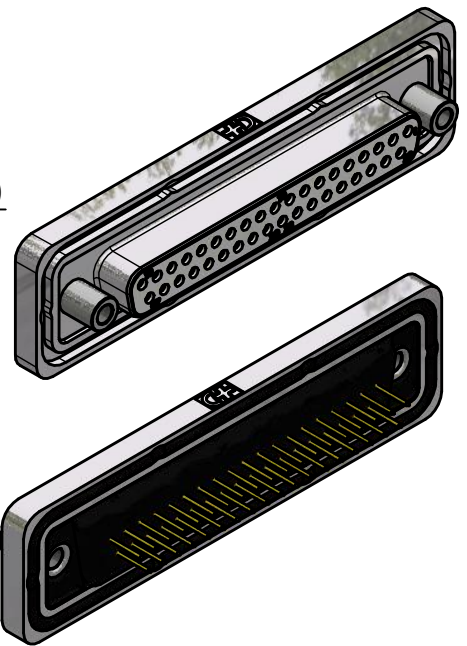


RoHS compliant



PCB Layout
tolerances +/-0.1



Waterproof IP68
Frame with O-ring sealing for front panel mounting

MATERIALS

- Insulator: Thermoplastic UL 94-V-0 white
- Frame: Zinc diecasting nickel plated
- Contact: Machined / Copper alloy
- Contact finish: Quality class 2
- Shell: steel tin plated

CHARAKTERISTICS

- Working voltage: 125V
- Current rating: 7.5A
- Contact resistance: max. 10mΩ - DIN41652
- Insulation resistance: >5GΩ
- Temperature range: -55° to +125°C

Product is
suitable for
Wave Solder
Process

General tolerances (Delttron standard)	
size in mm	
> 0.5	> 30
up to 3	up to 30
up to 6	up to 6
up to 30	up to 120
tolerances	
±0.1	±0.2
±0.2	±0.3

	All dimensions in mm	Rev.	Rev.	Rev.	DE017216		
		Rev.	Rev.	Rev.	part no.		
DTSWM37SY/2M95UN				1.2:1	drawn	01.03.2016	mw
				scale	checked		
					approved		
				Industrie Neuhof 8c CH-3422 Kirchberg www.d-sub.swiss		K062428	
						drawing no.	