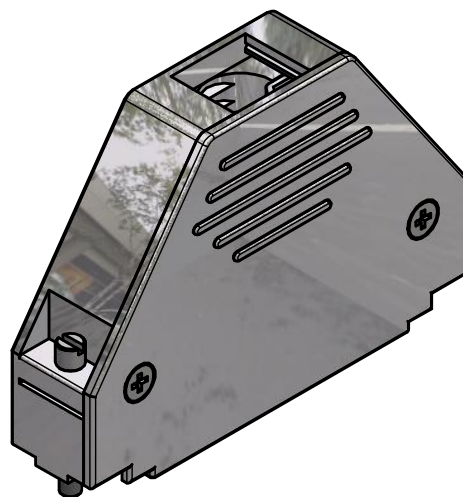
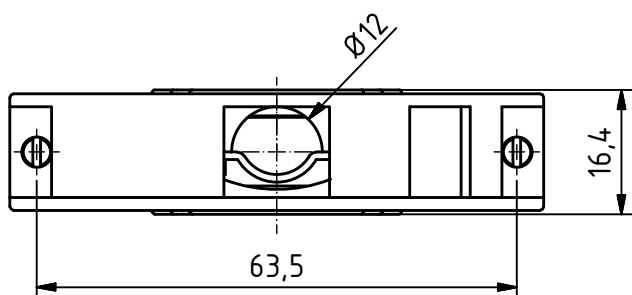
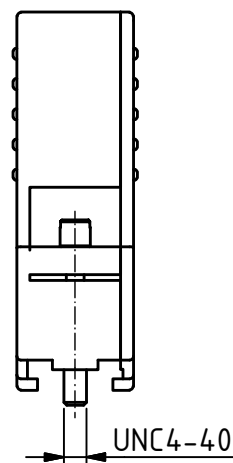
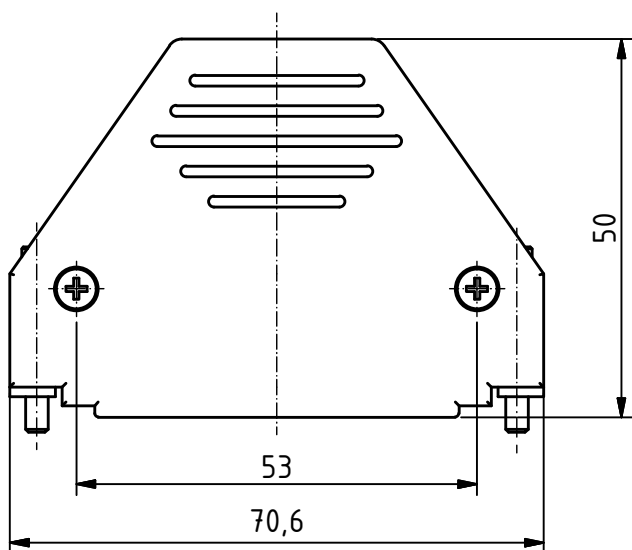


RoHS compliant



MATERIALS

- Hood: thermoplastic metallized

CHARACTERISTICS

- Temperature range: -40°C to +85°C
- Housing screw: self cutting
- Straight and side cable outlet
- With metal strain relief
- Two assembled screws
- Attenuation: min. 40 db at 100Mhz

-Set packed in bag

General tolerances (Deltron standard)			
size in mm	> 0.5	> 6	> 30
	up to 3	up to 30	up to 120
tolerances			
	±0.1	±0.2	±0.3

	All dimensions in mm	Rev.	Rev.	Rev.	DE002464		
		Rev.	Rev.	Rev.	part no.		
DCM37UN4				1:1 scale	drawn	04.10.2019	rop
					checked		
					approved		
 CONNECT 2 CUSTOMIZE				Industrie Neuhof 8c CH-3422 Kirchberg www.d-sub.swiss		K063692 drawing no.	