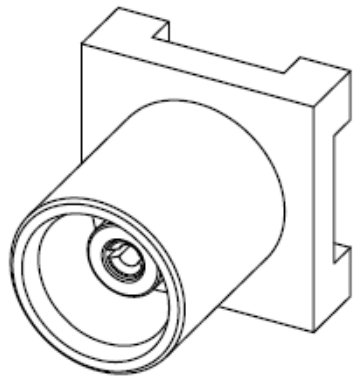




P.C.B LAYOUT



3	PTFE	
2	phosphor copper	gold
1	brass	gold
	Material	Plated

TOLERANCE		
SCALE	UNIT mm	
DRAW Green	DATE 15.12.2021	TITLE
CHECK Wald	REV	<b>MCX-5205m-TGG</b>
		DESCRIPTION
		MCX Straight SMT Jack/Female