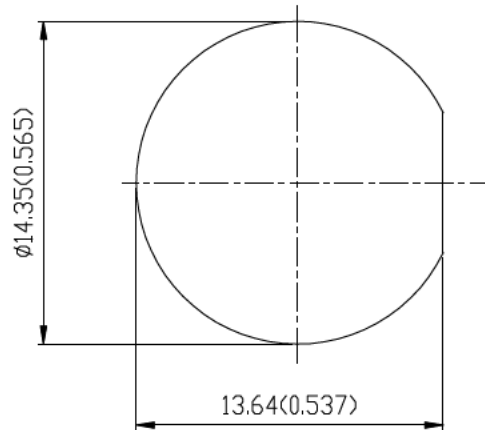
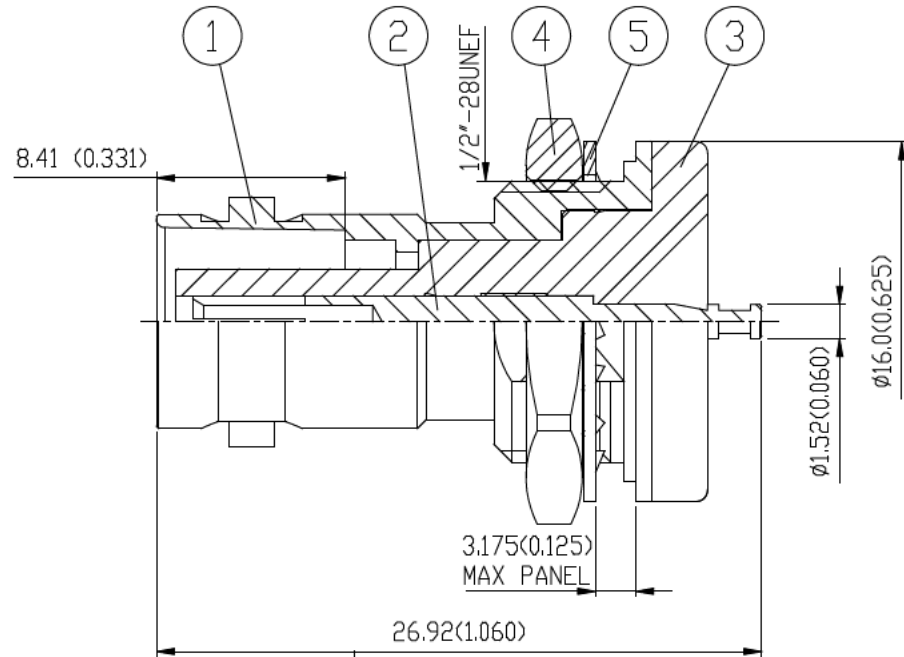


RoHS Compliant
 Cd ≤ 75 ppm
 Pb ≤ 4 wt%

NO		



Recommend Mounting Hole



5	TEECH WASHER	FE	1	NICKEL
4	NUT	BRASS	1	NICKEL
3	INSULATOR	TEFLON	1	
2	CENTER PIN	Phosphor Bronze	1	GOLD
1	BODY	BRASS	1	NICKEL
NO	DESCRIPTION	MATERIAL	Q'TY	FINISH

DIMENSIONS(mm)	TOLERANCE	DRAWING		DESCRIPTION	PRODUCT NUMBER	VERSION
0-5mm	±0.05	DESIGNED		MHV Jack B/H Turret Terminal	MHV75-4208-TGN	A00
5-10mm	±0.1	CHECHRED				
10-15mm	±0.2	APPROVED				
15-20mm	±0.3	UNIT	M/M			
20mm ABOVE	±0.4	SCALE	3:1	DATE	15. 04. 2020	

