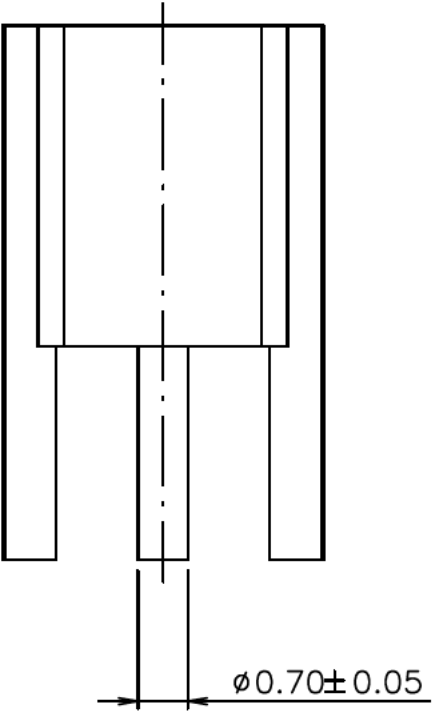
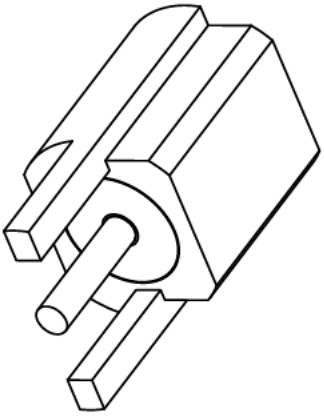
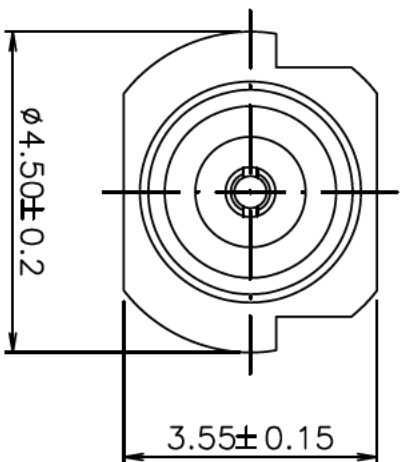
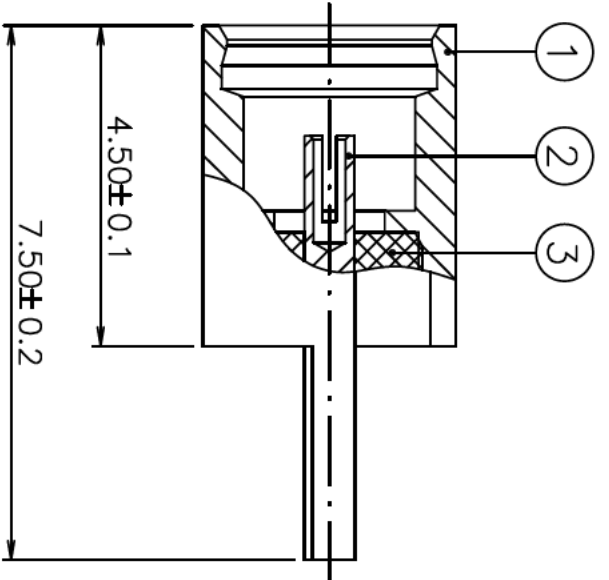
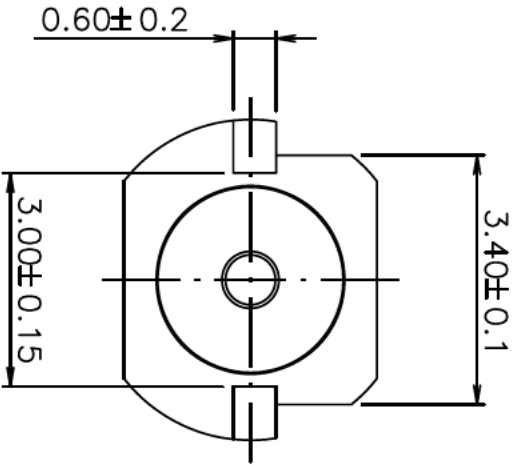
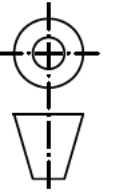


ROHS

NOTE: MMCX FEMALE TO PCB



Projection



SCHMID-M

APPROVED

AUDIT

DRAWING

DESIGN

TITLE

PART NO.

MMCX-5205m-TGG

UNITS

mm

SCALE

10:1

DRAWING NO.

GLAZE

SYE

DATE

REV.

△

△

2021.12.09

A

MATERIAL

PTFE

gold

gold

brass

gold

gold

Plated

Material

PTFE

gold

gold

brass

gold

gold

Plated

Material

PTFE

gold

gold

brass

gold

gold

Plated

Material