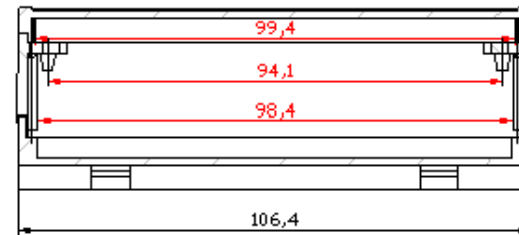
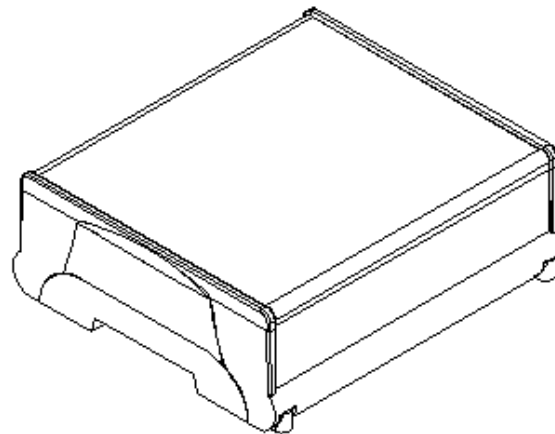
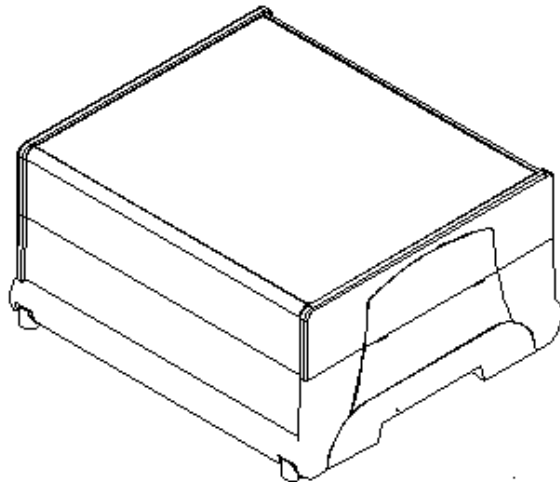
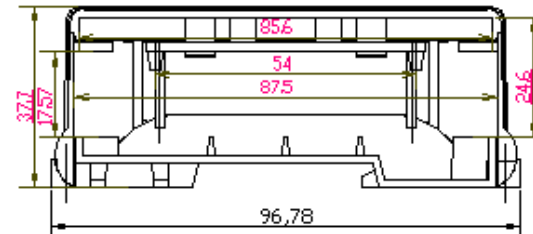
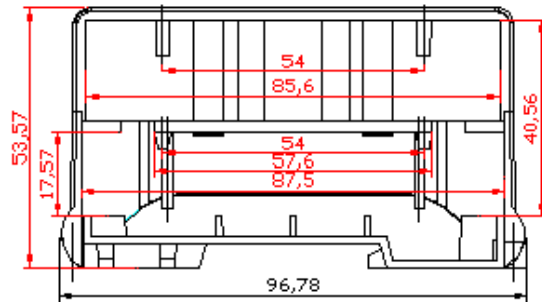


MR6/MX



MR6/BMX



gross pile	gross volume	
<b>ELBAG</b>		gross/m <sup>3</sup>
		clean