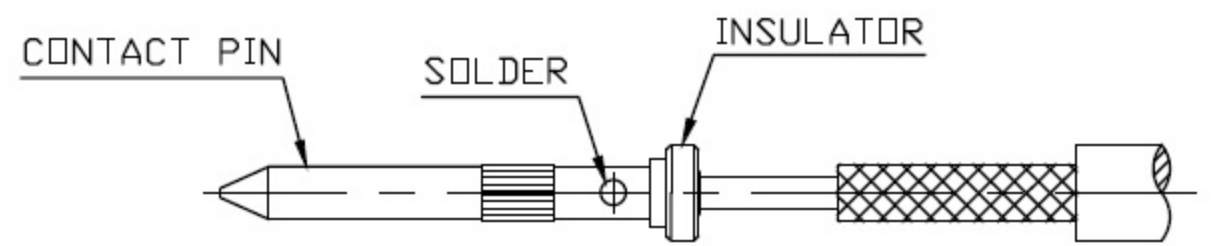
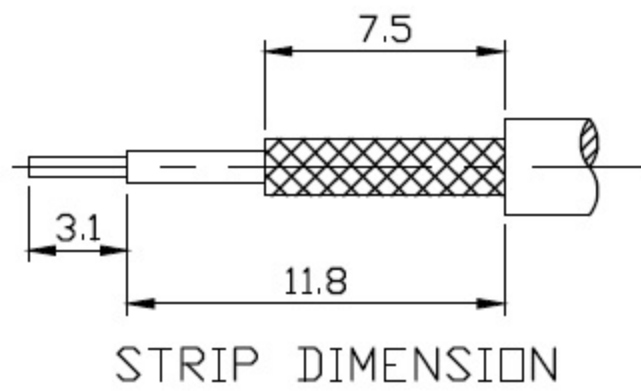


MATERIAL : BODY-BRASS
 INSULATOR-TEFLON
 SLEEVE-BRASS
 CONTACT-BRASS
 C WASHER-BRASS
 GASKET-SILICONE
 GASKET-TEFLON
 SHELL-BRASS
 RING-BRASS

FINISH : BODY-NICKEL PLATING
 SLEEVE-NICKEL PLATING
 SHELL-NICKEL PLATING
 RING-NICKEL PLATING
 CONTACT-GOLD PLATING OVER NICKEL



DIMENSIONS ARE IN MILLIMETERS		TOLERANCE		SCHMID-M	
· × ±0.5	ANGLE ±3°	SCALE	3:1	TITLE N STRAIGHT PLUG CRIMP FOR RG 58A/u, 141A/u, 223u	
· × × ±0.1		REV	A-1	DRAWING NO N-1105-TGN	
· × × × ±0.05		DATE	99.09.27	FILE NO	
DRAWN		DATE			
APPROVAL		DATE			