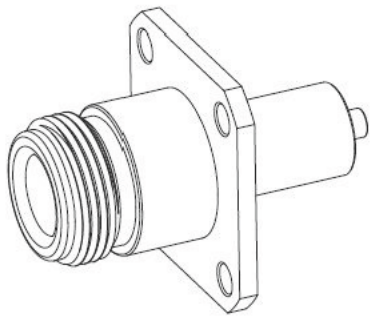
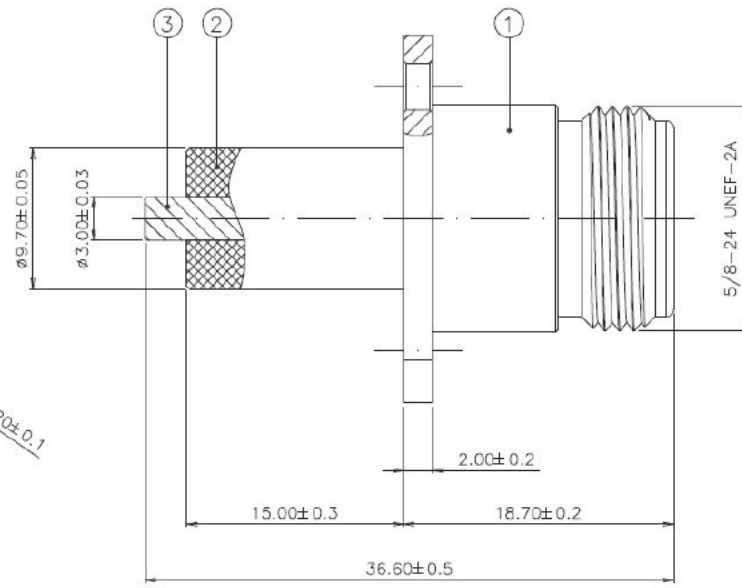
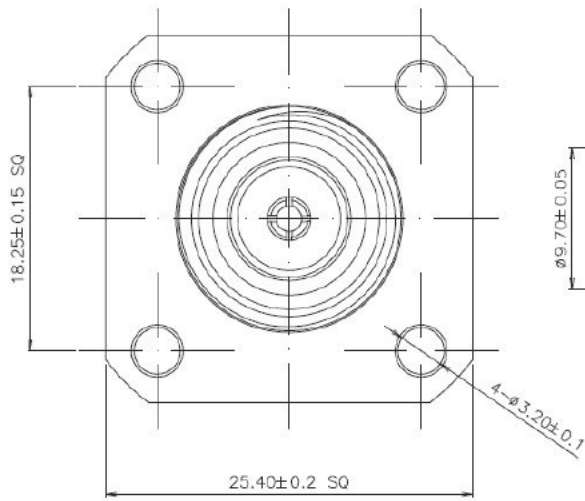


|   |          |        |
|---|----------|--------|
| 3 | brass    | gold   |
| 2 | PTFE     |        |
| 1 | brass    | nickel |
|   | Material | Plated |



|  |       |               |       |                 |                                    |
|--|-------|---------------|-------|-----------------|------------------------------------|
| DIMENSIONS ARE IN MILLIMETERS<br>TOLERANCE |       |               |       | <b>SCHMID-M</b> |                                    |
| · ×  | ±0.5  | ANGLE ±3°     | SCALE | 5:1             | TITLE N FEMALE BULKHEAD RECEPTACLE |
| · × ×                                      | ±0.1  |               | REV   | A-1             | DRAWING NO N-3210m-TGN             |
| · × × ×                                    | ±0.05 |               |       |                 | FILE NO                            |
| DRAWN Walter                               |       | DATE 07.11.22 |       |                 |                                    |
| APPROVAL Brise                             |       | DATE          |       |                 |                                    |