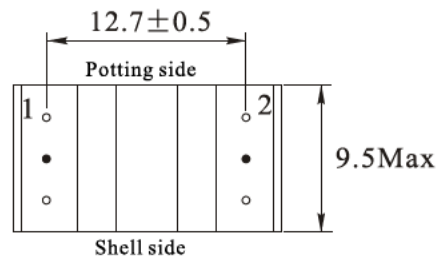
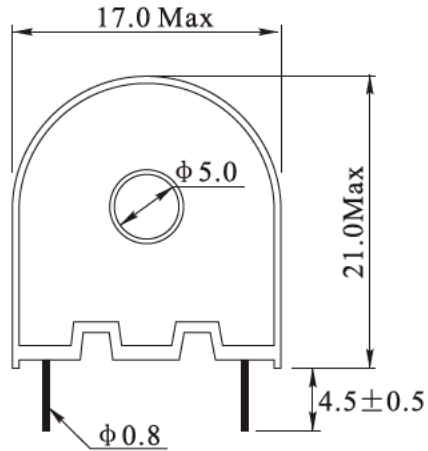
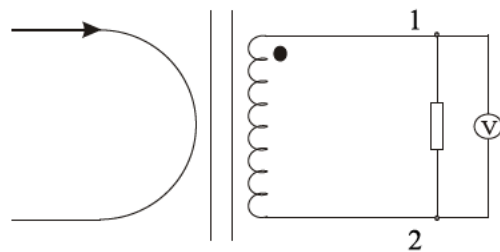


Rev.	Description	Date
A0	New release	2021.02.24

### 1. PHYSICAL CHARACTERISTICS (mm)



### 2. ELECTRONICAL SCHEMATIC



### 3. ELECTRONICAL SPECIFICATIONS

Rated current: 10A Max

Output voltage:  $33\text{mV} \pm 10\%$  @ Input 10A, Load  $50\ \Omega$

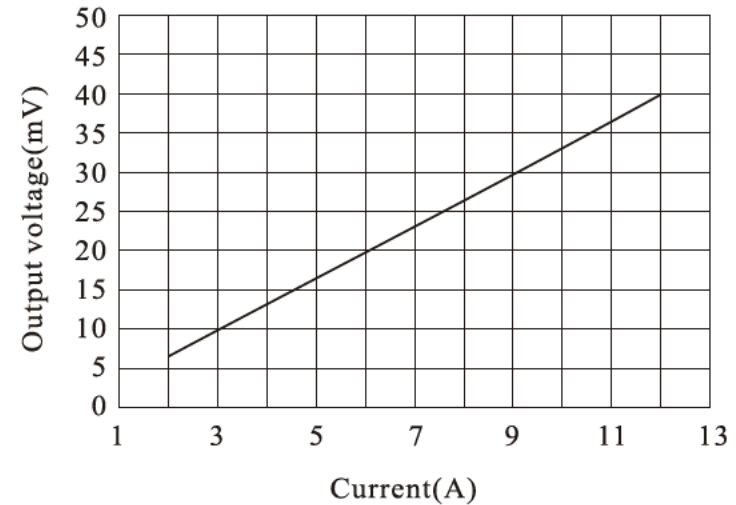
DCR:  $105\ \Omega \pm 15\%$

Insulation strength: 2.5KVac, 1mA, 50Hz, 60S

Operating temperature:  $-40^\circ\text{C}$  to  $+120^\circ\text{C}$

Storage temperature:  $-40^\circ\text{C}$  to  $+120^\circ\text{C}$

Response curve



NAME:	Current transformer		
CUSTOMER P/N:		DATE:	2021-02-24
PART NUMBER:	ACST182046	REV:	A0 PAGE
DRAWN BY	CHECKED BY	APPROVE BY	