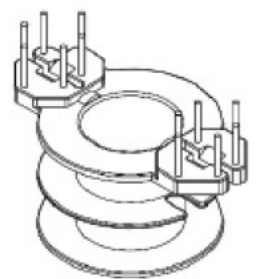
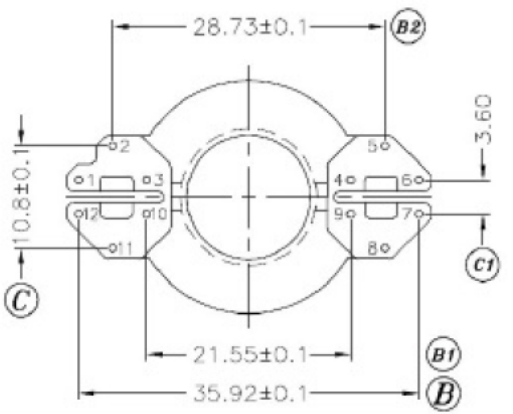
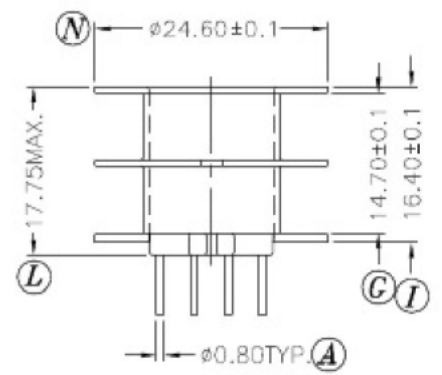
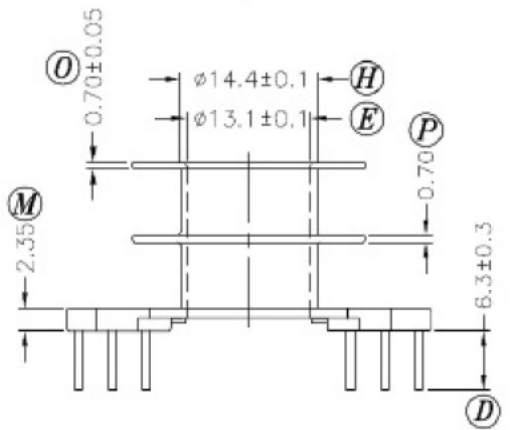
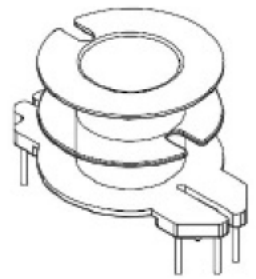
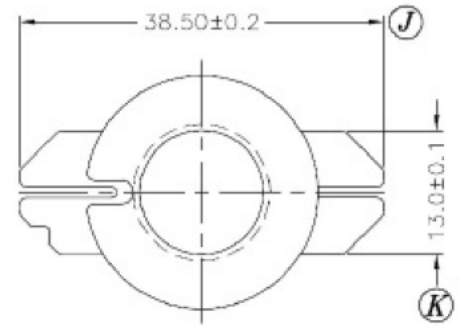


1 2 3 4 5 6 7 8



Bobbin Material: Phenolic PM9630
Pin Material CP WIRE

TOLERANCE				
SCALE	UNIT mm			
DRAW	Walter	DATE	3.2.2013	TITLE P-1213 - RM12
CHECK	Vanda	REV		
		DESCRIPTION T-H Bobbin RM-12, 12pin, 2Sec		

1 2 3 4 5 6 7 8