

PCB Connectors PRESS-FIT

Serie SMD-ITT

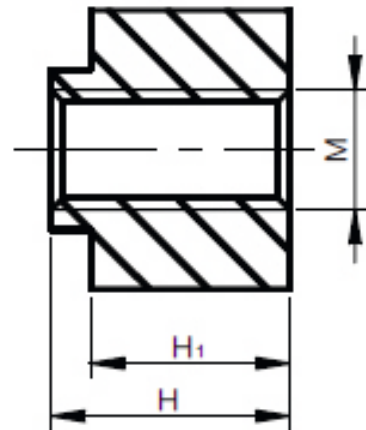
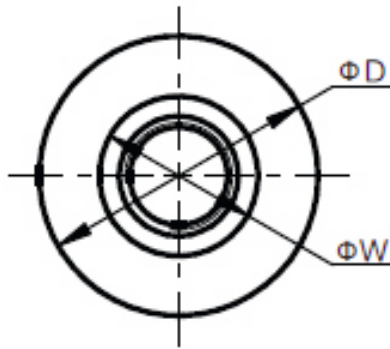


SMD-ITT

Features

- For soldering in SMT, Blistered for fully automated assembly.
- PCB connection for fixing cable lugs
- UNC thread or customer specific modifications on demand

Drawings



Technical Data

PROPERTIES

Material	Brass
Surface	Tin
Solder Cream Thickness	150 μ m
Heat Resistance	-55 C up to +150 C
Packaging	Bulk; Tape and Reel

Drawing No.	M	H	H1	ϕ D	ϕ W	IR(A)	Tightening Torque
PFPE2801	M3	4	3	ϕ 7	ϕ 4	50	0,5Nm
PFPE2802	M3	6	5	ϕ 7	ϕ 4	50	0,5Nm
PFPE2803	M4	4	3	ϕ 7	ϕ 5	50	1,2Nm
PFPE2804	M4	6	5	ϕ 7	ϕ 5	50	1,2Nm
PFPE2805	M5	6	5	ϕ 9	ϕ 6	70	2,2Nm