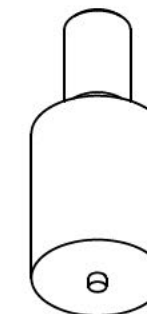
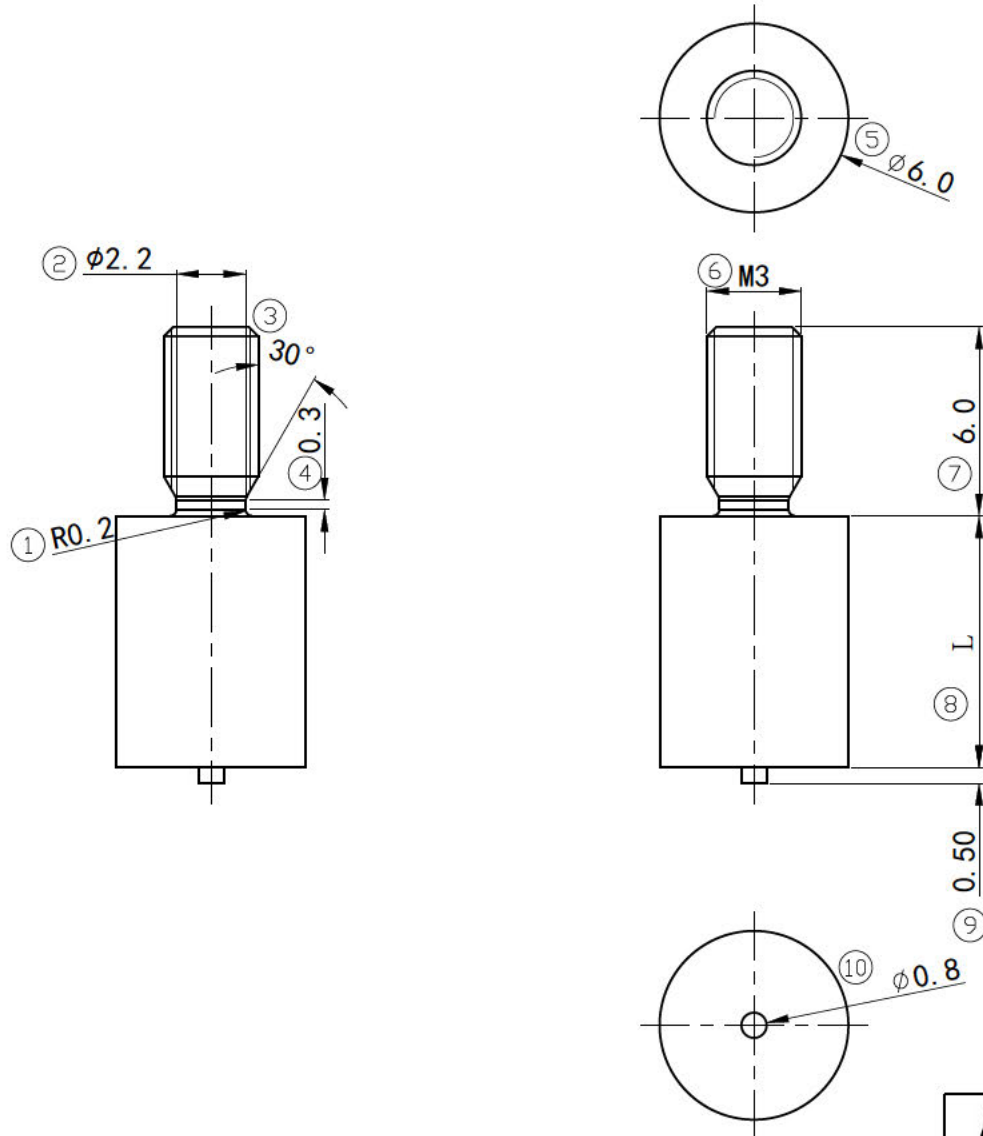


NO.	REV		



Ordering Number:

**Patron PFPE2301-LX**

X= Length in mm  
 Standard range: 5-15mm  
 Other on request

<b>Patron</b> Passive Electronic					
		Date	2022. 06. 06	Scale	1:1
Part N.:	Patron PFPE2301-LX				
Customer					
Material	Stainless Steel				
Surface	Matt Tin Plated 5-8um				
					 <b>Rev.: 0</b>

Size	L	0.5-3.0	>3.0-6.0	>6.0-30	>30-120
	R	0.5-3.0	>3.0-5.0	>5.0	
	A	0-10	10-50	50-120	120-400
Tolerance		±0.2	±0.3	±0.5	±0.8
Angle		±1° 90'	±1°	±30'	±15'