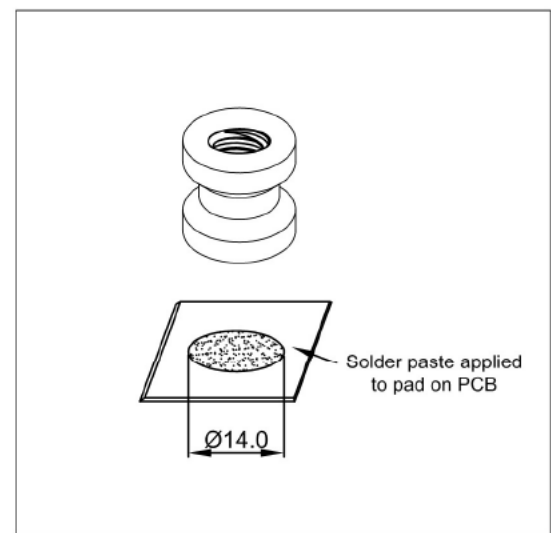
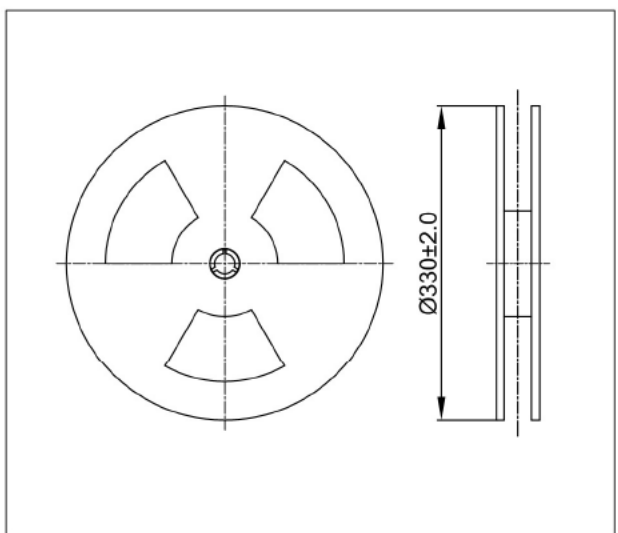
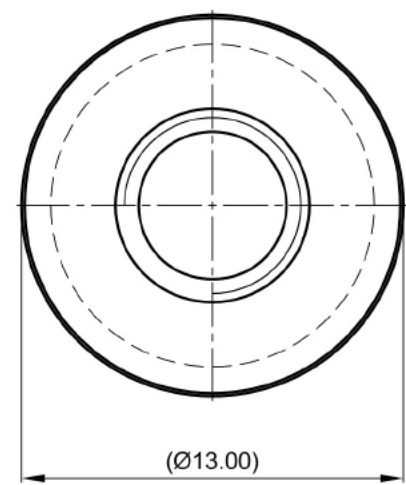
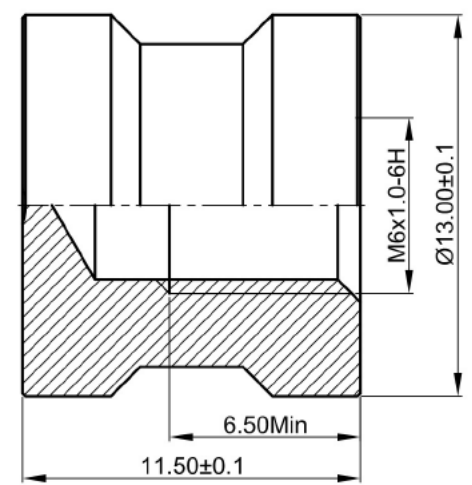


1.6

EC No.	EC Description	DR.
△	/	/



NOTES:
 1. Material: Brass C3604;
 2. Surface Treatment: Tin Plated;
 3. Remove all burrs and sharpe angle ,product is clean;
 4. Packaged on 13" recyclable reels, Tape width is 24mm,
 Reels conform to IEC 60286-3 Package:200 pcs/Reel;
 5. RoHS Compliant.

	①	1	/	/	See Note 1	See Note 3	/
	Part Item	QTY.	Name	Description	Material	Surface Treatment	Remark
	DR.	LEX 2023.09.14	CHKD.	APPD.	Unit net weight ≈ / g		Rough weight ≈ / g
UNIT: mm				TITLE: PE26-M6x11.5-OD13.0DT			
DIM Tol.: .X ± .XX ± .XXX ±				Angle Tol.: X° ± .X° ± .XX° ± .XXX° ±			
Patron Passive Electronic				Drawing#: PFPE2604R00		P/N: PFPE2604R00	
				REV. A		Sheet 1 of 1	