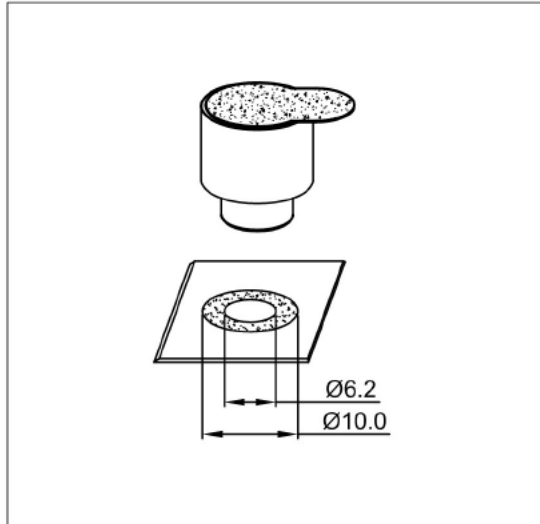
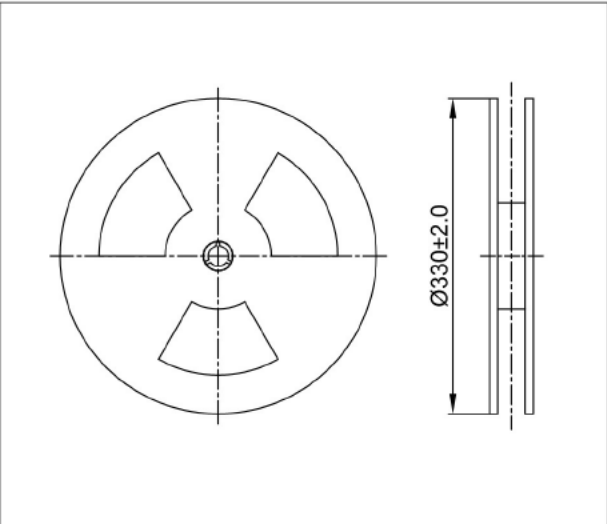
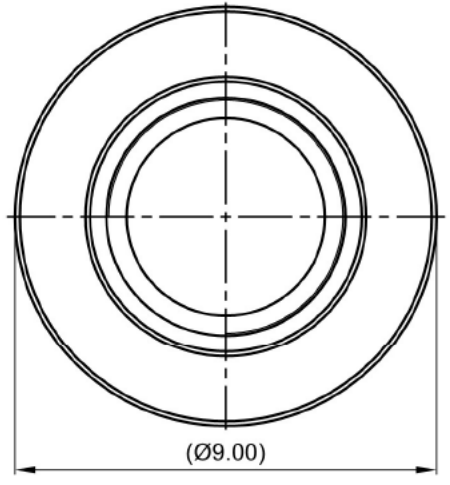
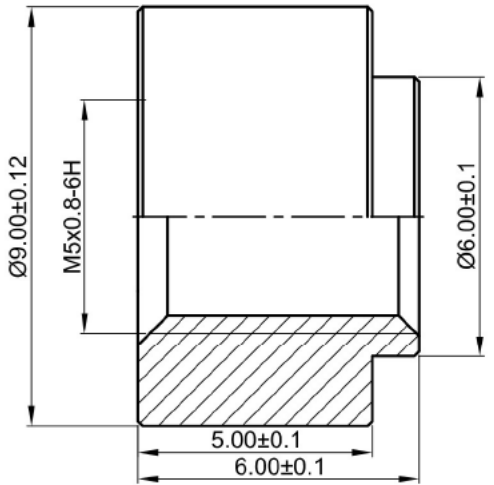


1 2 3 4 5 6 7 8

1.6

EC No.	EC Description	DR.
▲	/	/



NOTES:
 1. Material: Brass C3604;
 2. Surface Treatment: Tin plated;
 3. Remove all burrs and sharpe angle ,product is clean;
 4. Packaged on 13" recyclable reels, Tape width is 24mm
 Supplied with polyimide patch for vacuum pick up, Reels conform to IEC 60286-3 Package:600 pcs/Reel;
 5. RoHS Compliant.

UNIT: mm	①	1	/	/	See Note 1	See Note 3	/
	Part Item	QTY.	Name	Description	Material	Surface Treatment	Remark
DIM Tol.:	DR.	CHKD.	APPD.	Unit net weight	≈ / g	⊕	Rough weight
X. ±	LEX 2023.06.03			≈ / g		⊕	≈ / g
X° ±	TITLE: PE28-M5x6.0-OD9.0DT						
.XX ±	Drawing#:		P/N:		REV.	Sheet	
.XXX ±	PFPE2805P03		PFPE2805P03		A	1 of 1	

Patron
 Passive Elektronik

1 2 3 4 5 6 7 8