

PT-IQ-2X2-24DC-UT - Surge protection device



2800980

<https://www.phoenixcontact.com/cz/produkty/2800980>

Please be informed that the data shown in this PDF document is generated from our online catalog. Please find the complete data in the user documentation. Our general terms of use for downloads are valid.



Surge protection, consisting of protective plug and base element, with integrated multi-stage status indicator on the module, for two 2-wire floating signal circuits, HART-compatible.

Your advantages

- Predictive monitoring with 3-stage LED display
- Integration of the status message into the system controller via group remote signaling
- Install quickly and error-free with DIN rail connectors
- Maximum ease of maintenance, thanks to the 2-piece design
- Maximum protection for MCR applications with high discharge capacity

Commercial data

Item number	2800980
Packing unit	1 pc
Minimum order quantity	1 pc
Sales key	CL2
Product key	CL2151
Catalog page	Page 121 (C-4-2019)
GTIN	4046356665803
Weight per piece (including packing)	123.8 g
Weight per piece (excluding packing)	120 g
Customs tariff number	85363010
Country of origin	DE

PT-IQ-2X2-24DC-UT - Surge protection device

2800980

<https://www.phoenixcontact.com/cz/produkty/2800980>

Technical data

Notes

General

Note	Remote signaling as well as the power supply of the DIN rail connector are established by snapping the module into place on the DIN rail connector.
------	---

Product properties

IEC test classification	C1
	C2
	C3
	D1
Type	DIN rail module, two-section, divisible
Product type	Surge protection for MCR technology
Product family	PLUGTRAB IQ
Surge protection fault message	Optical, multi-stage
Wire pairs per module	2

Insulation characteristics

Overvoltage category	III
Pollution degree	2

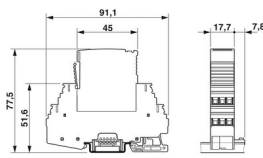
Electrical properties

Nominal voltage U_N	24 V DC
-----------------------	---------

Connection data

Connection method	Screw connection
Screw thread	M3
Tightening torque	0.5 Nm
Conductor cross section flexible	0.2 mm ² ... 2.5 mm ²
Conductor cross section rigid	0.2 mm ² ... 4 mm ²
Conductor cross section AWG	24 ... 12

Dimensions

Dimensional drawing	
Width	17.7 mm
Height	91 mm
Depth	77.5 mm (incl. DIN rail 7.5 mm)

PT-IQ-2X2-24DC-UT - Surge protection device



2800980

<https://www.phoenixcontact.com/cz/produkty/2800980>

Horizontal pitch	1 Div.
------------------	--------

Material specifications

Flammability rating according to UL 94	V-0
Housing material	PA 6.6

Mechanical properties

Mechanical data

Open side panel	No
-----------------	----

Protective circuit

Direction of action	Line-Line & Line-Signal Ground/Shield & optional Signal Ground/Shield-Earth Ground
Maximum continuous voltage U_C	30 V DC
	21 V AC
Rated current	700 mA (50 °C)
Operating effective current I_C at U_C	≤ 1 mA (in the signal circuit)
Residual current I_{PE}	≤ 2 μA (per signal circuit)
Nominal discharge current I_n (8/20) μs (line-line)	10 kA
Nominal discharge current I_n (8/20) μs (line-ground)	10 kA
Pulse discharge current I_{imp} (10/350) μs (line-earth)	2.5 kA
Total discharge current I_{total} (8/20) μs	20 kA
Voltage protection level U_p (line-line)	≤ 80 V (C1 - 1 kV / 500 A)
	≤ 130 V (C2 - 10 kV / 5 kA)
	≤ 150 V (C2 - 10 kA)
	≤ 55 V (C3 - 25 A)
	≤ 60 V (C3 - 100 A)
Voltage protection level U_p (line-earth)	≤ 600 V (C1 - 1 kV / 500 A)
	≤ 750 V (C2 - 10 kV / 5 kA)
	≤ 800 V (C2 - 10 kA)
	≤ 700 V (C3 - 25 A)
	≤ 800 V (C3 - 100 A)
Voltage protection level U_p static (line-line)	≤ 65 V (C1 - 1 kV / 500 A)
	≤ 65 V (C2 - 10 kA)
Response time t_A (line-line)	≤ 1 ns
Response time t_A (line-earth)	≤ 100 ns
Input attenuation aE, sym.	typ. 0.3 dB (≤ 270 kHz/150 Ω)
Cut-off frequency f_g (3 dB), sym. in 150 Ω system	typ. 1.1 MHz
Capacity (Core-Earth)	typ. 2 nF
Resistance per path	1.2 Ω ±5 %
Surge protection fault message	Optical, multi-stage
Max. required back-up fuse	800 mA (FF)
Impulse durability (line-line)	C1 - 1 kV / 500 A
	C2 - 10 kV / 5 kA

PT-IQ-2X2-24DC-UT - Surge protection device



2800980

<https://www.phoenixcontact.com/cz/produkty/2800980>

	C2 - 10 kA
	C3 - 100 A
Impulse durability (line-earth)	C1 - 1 kV / 500 A
	C2 - 10 kV / 5 kA
	C2 - 10 kA
	C3 - 100 A
	D1 - 2.5 kA
Pulse reset time (line-line)	≤ 4000 ms
Pulse reset time (line-earth)	≤ 2600 ms

Environmental and real-life conditions

Ambient conditions

Degree of protection	IP20
Ambient temperature (operation)	-40 °C ... 70 °C
Ambient temperature (storage/transport)	-40 °C ... 85 °C
Altitude	≤ 4000 m (amsl)
Permissible humidity (operation)	5 % ... 95 %

Standards and regulations

Standards/specifications	IEC 61643-21
Note	2000 + A1:2008, modified
Standards/specifications	EN 61643-21
Note	2001 + A1:2009
Standards/specifications	EN 61000-6-3
Note	2007 + A1:2011
Standards/specifications	EN 61000-6-2
Note	2005

Mounting

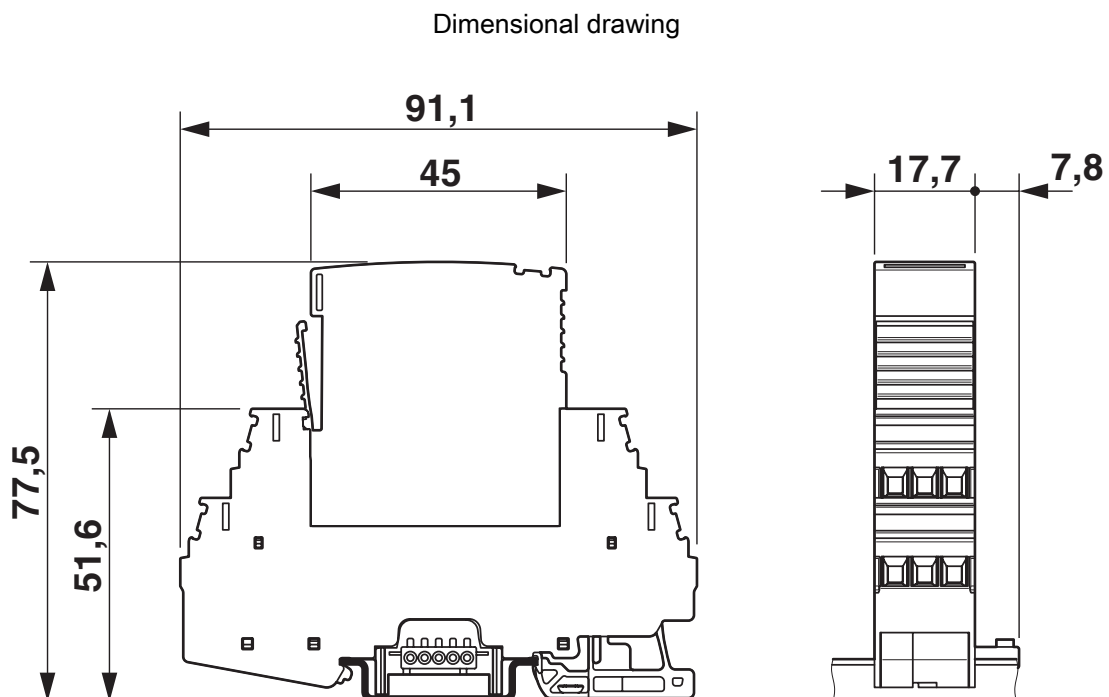
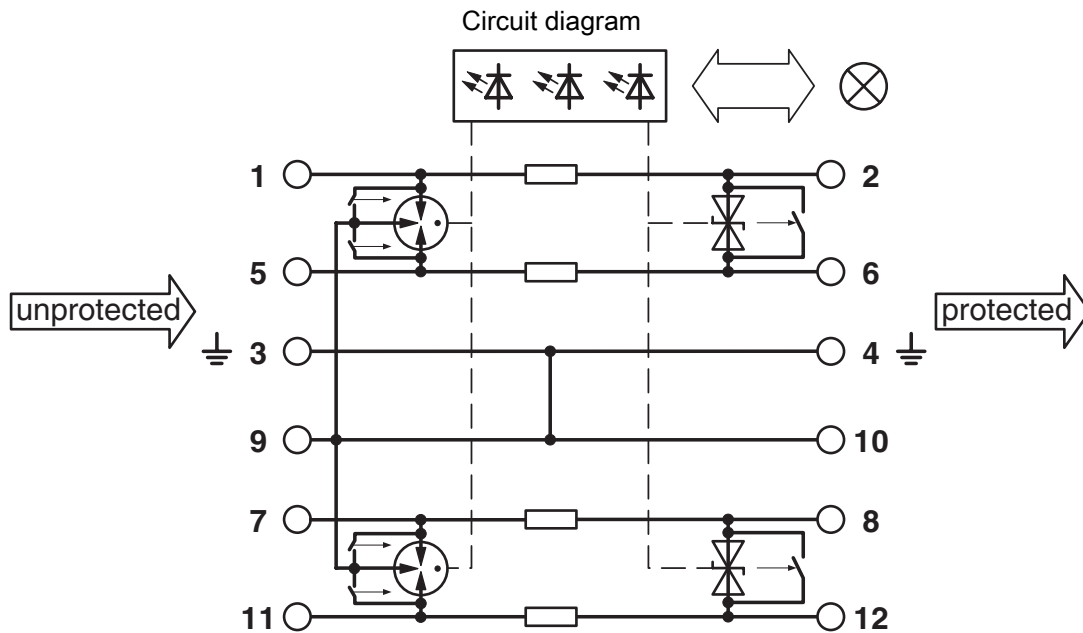
Mounting type	DIN rail: 35 mm
---------------	-----------------

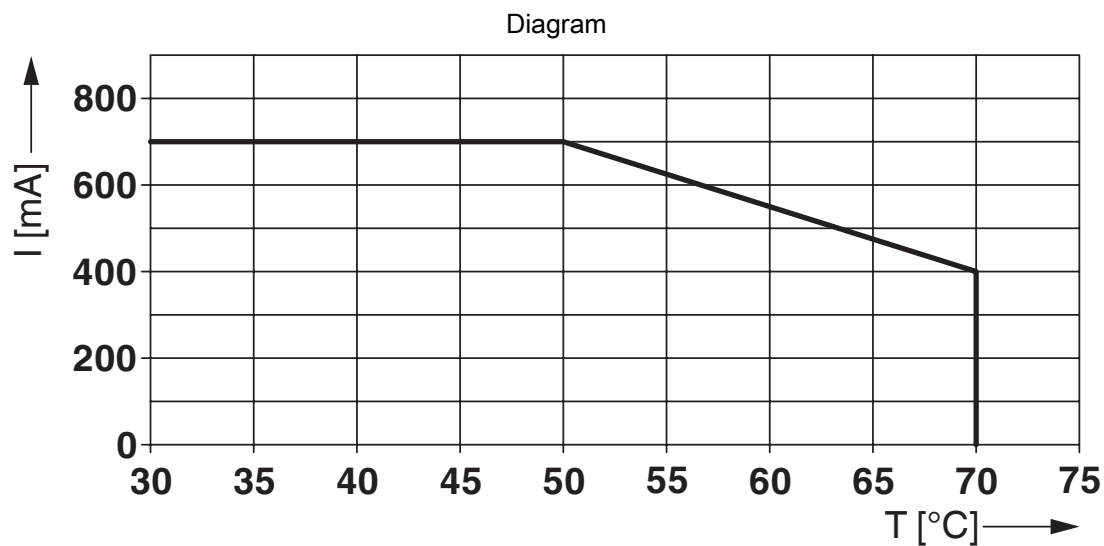
PT-IQ-2X2-24DC-UT - Surge protection device

2800980

<https://www.phoenixcontact.com/cz/produkty/2800980>

Drawings





PT-IQ-2X2-24DC-UT - Surge protection device



2800980

<https://www.phoenixcontact.com/cz/produkty/2800980>

Approvals

To download certificates, visit the product detail page: <https://www.phoenixcontact.com/cz/produkty/2800980>



CSA

Approval ID: 2761632



EAC

Approval ID: RU C-DE.*09.B.00169



UL Listed

Approval ID: FILE E 138168



CSAus

Approval ID: 2761632

cCSAus

PT-IQ-2X2-24DC-UT - Surge protection device



2800980

<https://www.phoenixcontact.com/cz/produkty/2800980>

Classifications

ECLASS

ECLASS-11.0	27130807
ECLASS-13.0	27171501

ETIM

ETIM 8.0	EC000943
----------	----------

UNSPSC

UNSPSC 21.0	39121600
-------------	----------

PT-IQ-2X2-24DC-UT - Surge protection device



2800980

<https://www.phoenixcontact.com/cz/produkty/2800980>

Environmental product compliance

REACH SVHC	Lead 7439-92-1
China RoHS	Environmentally Friendly Use Period = 50 years
	For information on hazardous substances, refer to the manufacturer's declaration available under "Downloads"

PT-IQ-2X2-24DC-UT - Surge protection device



2800980

<https://www.phoenixcontact.com/cz/produkty/2800980>

Mandatory accessories

PT-IQ-PTB-UT - Supply and remote module

2800768

<https://www.phoenixcontact.com/cz/produkty/2800768>



Module for power supply and multi-stage, floating remote signaling of connected surge protection modules.

Accessories

ZBF 5:UNBEDRUCKT - Zack Marker strip, flat

0808642

<https://www.phoenixcontact.com/cz/produkty/0808642>



Zack Marker strip, flat, Strip, white, unlabeled, can be labeled with: PLOTMARK, CMS-P1-PLOTTER, mounting type: snapped, for terminal block width: 5 mm, lettering field size: 5.1 x 5.2 mm, Number of individual labels: 10

PT-IQ-2X2-24DC-UT - Surge protection device

2800980

<https://www.phoenixcontact.com/cz/produkty/2800980>

ZBF 5/WH-100:UNBEDRUCKT - Zack Marker strip, flat

0808668

<https://www.phoenixcontact.com/cz/produkty/0808668>



Zack Marker strip, flat, Strip, white, unlabeled, can be labeled with: CMS-P1-PLOTTER, PLOTMARK, mounting type: snapped, for terminal block width: 5 mm, lettering field size: 5.15 x 5.15 mm, Number of individual labels: 1000

ZBF 5,LGS:FORTL.ZAHLEN - Zack Marker strip, flat

0808671

<https://www.phoenixcontact.com/cz/produkty/0808671>



Zack Marker strip, flat, Strip, white, labeled, printed horizontally: consecutive numbers 1 ... 10, 11 ... 20, etc. up to 491 ... 500, mounting type: snapped, for terminal block width: 5 mm, lettering field size: 5.15 x 5.15 mm, Number of individual labels: 10

PT-IQ-2X2-24DC-UT - Surge protection device



2800980

<https://www.phoenixcontact.com/cz/produkty/2800980>

ZBF 5,LGS:GERADE ZAHLEN - Zack Marker strip, flat

0810821

<https://www.phoenixcontact.com/cz/produkty/0810821>



Zack Marker strip, flat, Strip, white, labeled, printed horizontally: consecutive even numbers 2 ... 20, 22 ... 40, etc. up to 82 ... 100, mounting type: snapped, for terminal block width: 5 mm, lettering field size: 5.15 x 5.15 mm, Number of individual labels: 10

ZBF 5,LGS:UNGERADE ZAHLEN - Zack Marker strip, flat

0810863

<https://www.phoenixcontact.com/cz/produkty/0810863>



Zack Marker strip, flat, Strip, white, labeled, printed horizontally: Odd numbers 1 - 19, 21 - 39, etc. up to 81 - 99, mounting type: snapped, for terminal block width: 5 mm, lettering field size: 5.15 x 5.15 mm, Number of individual labels: 10

PT-IQ-2X2-24DC-UT - Surge protection device

2800980

<https://www.phoenixcontact.com/cz/produkty/2800980>

ZBF 5,QR:FORTL.ZAHLEN - Zack Marker strip, flat

0808697

<https://www.phoenixcontact.com/cz/produkty/0808697>



Zack Marker strip, flat, Strip, white, labeled, Printed vertically: consecutive numbers 1 ... 10, 11 ... 20, etc. up to 91 ... 100, mounting type: snapped, for terminal block width: 5 mm, lettering field size: 5.15 x 5.15 mm, Number of individual labels: 10

ZBN 18:UNBEDRUCKT - Zack marker strip

2809128

<https://www.phoenixcontact.com/cz/produkty/2809128>



Zack marker strip, Strip, white, unlabeled, can be labeled with: CMS-P1-PLOTTER, PLOTMARK, mounting type: snapped, for terminal block width: 18 mm, lettering field size: 18 x 5 mm, Number of individual labels: 5

PT-IQ-2X2-24DC-UT - Surge protection device

2800980

<https://www.phoenixcontact.com/cz/produkty/2800980>

E/ME TBUS NS35 GY - End clamp

2713780

<https://www.phoenixcontact.com/cz/produkty/2713780>



End clamp, stable construction for DIN rail bus connector

FK-MC 0,5/ 5-ST-2,5 - PCB connector

1881354

<https://www.phoenixcontact.com/cz/produkty/1881354>



PCB connector, nominal cross section: 0.5 mm², color: green, nominal current: 4 A, rated voltage (III/2): 160 V, contact surface: Tin, contact connection type: Socket, number of potentials: 5, number of rows: 1, number of positions: 5, number of connections: 5, product range: FK-MC 0,5/..-ST, pitch: 2.5 mm, connection method: Push-in spring connection, conductor/PCB connection direction: 0 °, plug-in system: COMBICON FK-MC 0,5, locking: without, mounting: without, type of packaging: packed in cardboard

PT-IQ-2X2-24DC-UT - Surge protection device

2800980

<https://www.phoenixcontact.com/cz/produkty/2800980>

SSA 3-6 - Shield connection

2839295

<https://www.phoenixcontact.com/cz/produkty/2839295>

Shield fast connection for 3 ... 6 mm cable diameter. Potential connecting cable:
200 mm, 1 mm², color: black



SSA 5-10 - Shield connection

2839512

<https://www.phoenixcontact.com/cz/produkty/2839512>

Shield fast connection for 5 ... 10 mm cable diameter. Potential connecting cable:
200 mm, 1 mm², color: black



PT-IQ-2X2-24DC-UT - Surge protection device



2800980

<https://www.phoenixcontact.com/cz/produkty/2800980>

X-PEN 0,35 - Marker pen

0811228

<https://www.phoenixcontact.com/cz/produkty/0811228>



Marker pen without ink cartridge, for manual labeling of markers, labeling extremely wipe-proof, line thickness 0.35 mm

SZS 0,6X3,5 VDE - Screwdriver

1212602

<https://www.phoenixcontact.com/cz/produkty/1212602>



Screwdriver, slot-headed, VDE insulated, size: 0.6 x 3.5 x 100 mm, 2-component grip, with non-slip grip

PT-IQ-2X2-24DC-UT - Surge protection device



2800980

<https://www.phoenixcontact.com/cz/produkty/2800980>

PT-IQ-2X2-24DC-P - Surge protection plug

2800804

<https://www.phoenixcontact.com/cz/produkty/2800804>

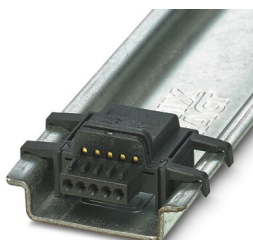


Surge protection plug with integrated multi-stage status indicator on the module for two 2-wire floating signal circuits. 24 V DC nominal voltage.

PT-IQ-17,5-TBUS-5-2.0 - DIN rail bus connectors

2906878

<https://www.phoenixcontact.com/cz/produkty/2906878>



DIN rail connector for PT-IQ system for establishing remote signaling and the power supply when a surge protection module is snapped on.

Phoenix Contact 2023 © - all rights reserved
<https://www.phoenixcontact.com>

PHOENIX CONTACT, s.r.o.
Dornych 47
617 00 Brno
+420 542 213 401
obchod@phoenixcontact.com