

# PT-IQ-PTB-PT - Supply and remote module



2801296

<https://www.phoenixcontact.com/be/products/2801296>

Please be informed that the data shown in this PDF document is generated from our online catalog. Please find the complete data in the user documentation. Our general terms of use for downloads are valid.



Module for power supply and multi-stage, floating remote signaling of connected surge protection modules.

## Your advantages

- Predictive monitoring with 3-stage LED display
- Integration of the status message into the system controller via group remote signaling
- Install quickly and error-free with DIN rail connectors
- Supply of up to 28 protective devices due to high feed-in power
- Maximum protection for MCR applications with high discharge capacity

## Commercial data

Item number	2801296
Packing unit	1 pc
Minimum order quantity	1 pc
Sales key	CL2153
Product key	CL2153
Catalog page	Page 120 (C-4-2019)
GTIN	4046356766760
Weight per piece (including packing)	121,425 g
Weight per piece (excluding packing)	117,6 g
Customs tariff number	85363030
Country of origin	DE

# PT-IQ-PTB-PT - Supply and remote module

2801296

<https://www.phoenixcontact.com/be/products/2801296>

## Technical data

### Notes

#### General

Note	Remote signaling as well as the power supply of the DIN rail connector are established by snapping the module into place on the DIN rail connector.
------	---

### Product properties

Type	DIN rail module, two-section, divisible
Product type	Surge protection for MCR technology
Product family	PLUGTRAB IQ

#### Insulation characteristics

Overvoltage category	II
Pollution degree	2

### Electrical properties

#### Indicator/remote signaling

Switching function	2x N/C contacts
--------------------	-----------------

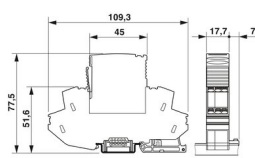
#### Supply: Status indicator/remote signaling

Operating voltage	20 V DC ... 30 V DC
Rated current	max. 130 mA (24 V DC)
	max. 160 mA (20 V DC)
Max. required back-up fuse	500 mA (T)
Number of surge protection modules that can be mounted side by side	28 (32 °C)

### Connection data

Connection method	Push-in connection
Conductor cross section flexible	0.2 mm <sup>2</sup> ... 2.5 mm <sup>2</sup>
Conductor cross section rigid	0.2 mm <sup>2</sup> ... 4 mm <sup>2</sup>
Conductor cross section AWG	24 ... 12

### Dimensions

Dimensional drawing	
Width	17.7 mm
Height	109.3 mm
Depth	77.5 mm (incl. DIN rail 7.5 mm)

# PT-IQ-PTB-PT - Supply and remote module



2801296

<https://www.phoenixcontact.com/be/products/2801296>

Horizontal pitch	1 Div.
------------------	--------

## Material specifications

Flammability rating according to UL 94	V-0
Housing material	PA 6.6

## Mechanical properties

### Mechanical data

Open side panel	No
-----------------	----

## Protective circuit

Surge protection fault message	Optical, multi-stage remote indication contact
--------------------------------	--

## Environmental and real-life conditions

### Ambient conditions

Degree of protection	IP20
Ambient temperature (operation)	-40 °C ... 70 °C
Ambient temperature (storage/transport)	-40 °C ... 85 °C
Altitude	≤ 4000 m (amsl)

## Standards and regulations

Standards/specifications	EN 61000-6-2
Note	2005
Standards/specifications	EN 61000-6-3
Note	2007 + A1:2011
Standards/specifications	EN 60950-1
Note	2006 + A2:2013

## Mounting

Mounting type	DIN rail: 35 mm
---------------	-----------------

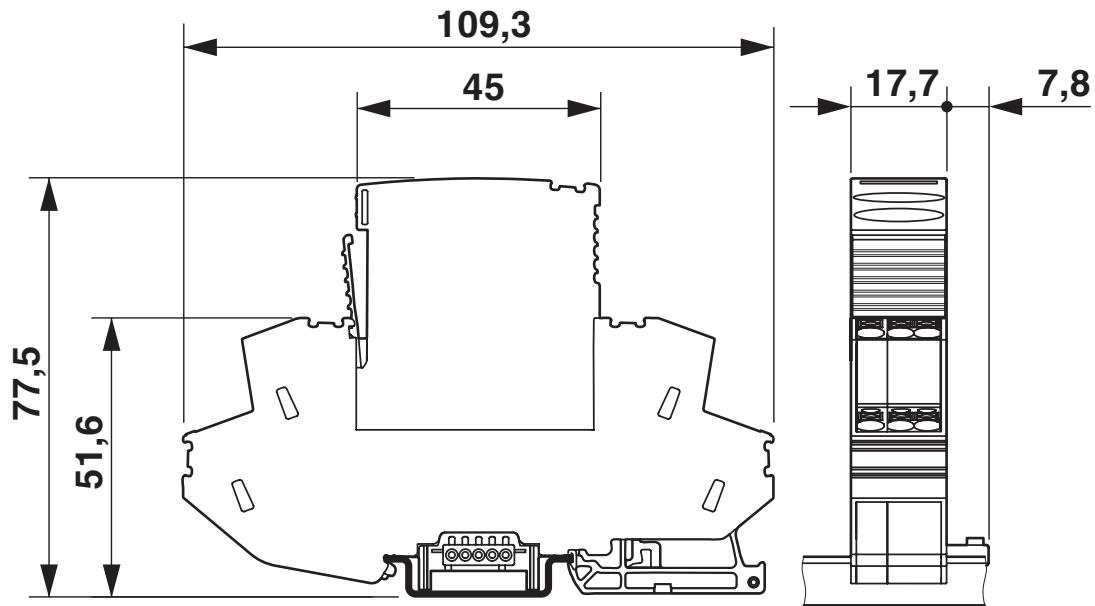
# PT-IQ-PTB-PT - Supply and remote module

2801296

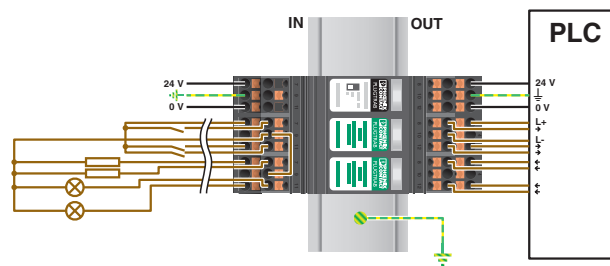
<https://www.phoenixcontact.com/be/products/2801296>

## Drawings

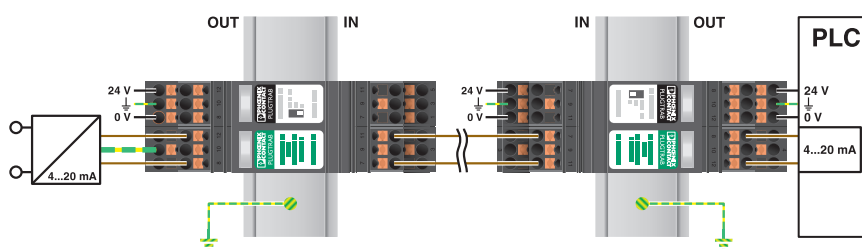
Dimensional drawing



Application drawing



Application drawing



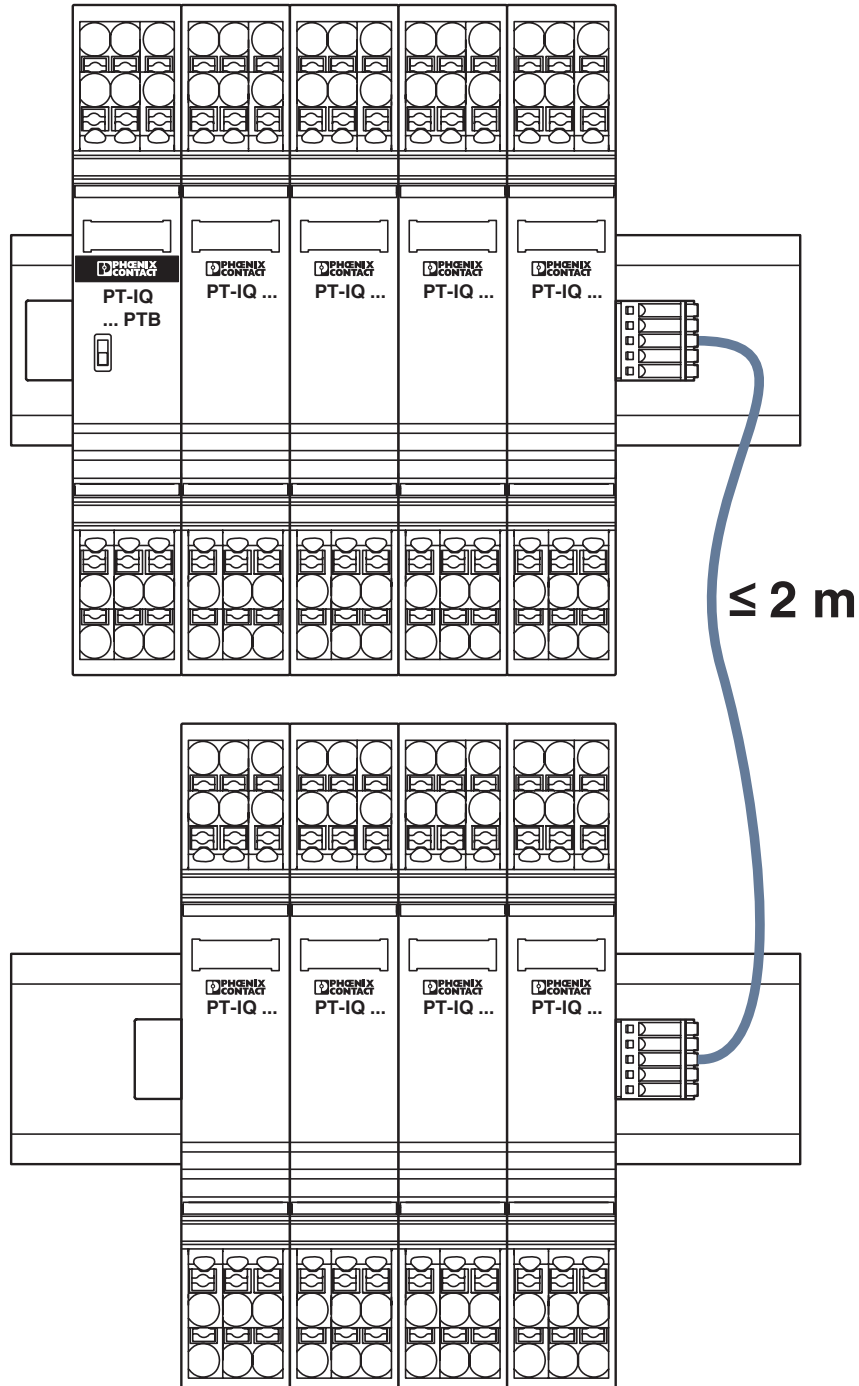
# PT-IQ-PTB-PT - Supply and remote module

2801296

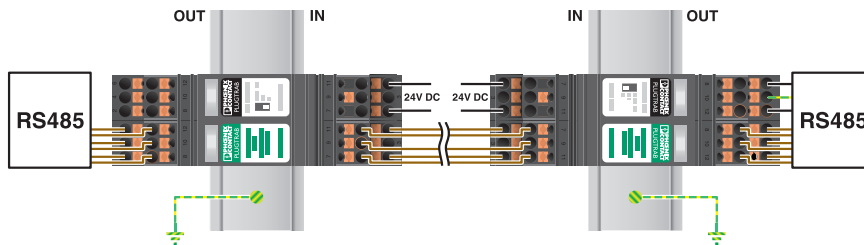
<https://www.phoenixcontact.com/be/products/2801296>



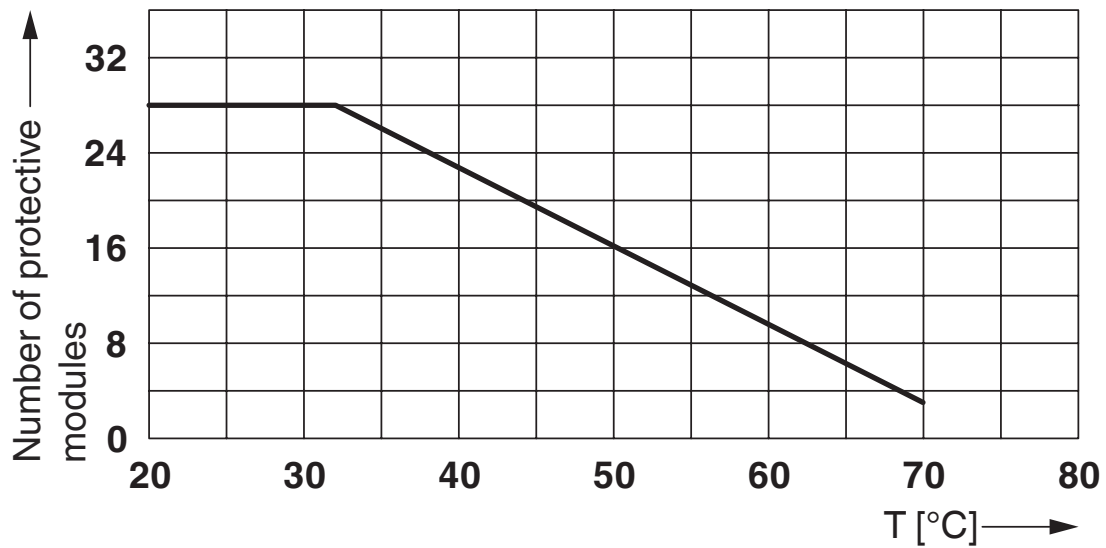
Schematic diagram



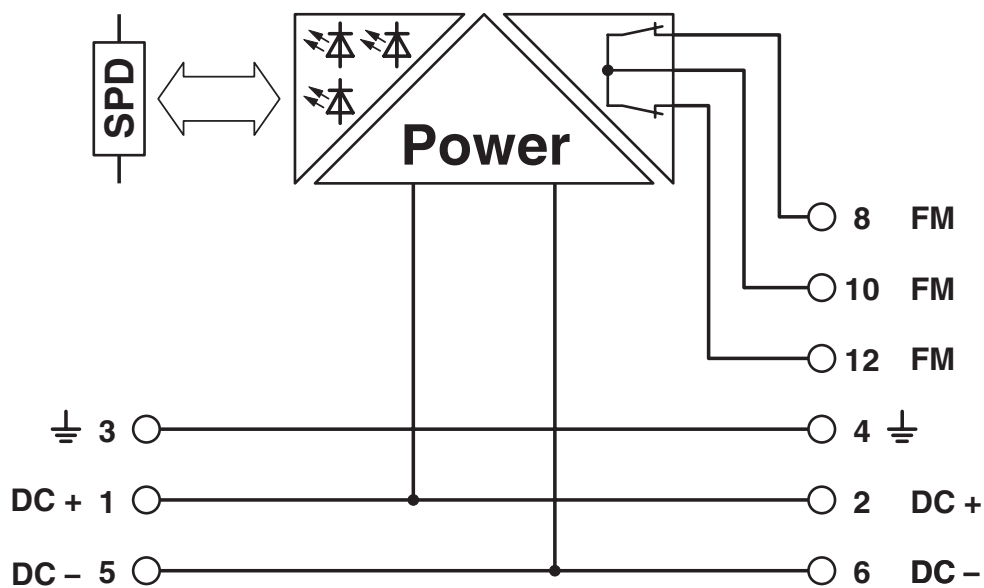
Application drawing



Diagram



Circuit diagram




2801296


<https://www.phoenixcontact.com/be/products/2801296>


## Approvals


To download certificates, visit the product detail page: <https://www.phoenixcontact.com/be/products/2801296>

 **CSA**  
Approval ID: 2761632

 **EAC**  
Approval ID: EAC-Zulassung

 **EAC**  
Approval ID: RU C-DE.\*09.B.00169

 **UL Listed**  
Approval ID: FILE E 138168

 **CSAus**  
Approval ID: 2761632

**cCSAus**

# PT-IQ-PTB-PT - Supply and remote module



2801296

<https://www.phoenixcontact.com/be/products/2801296>

## Classifications

### ECLASS

ECLASS-11.0	27130813
ECLASS-13.0	27171501

### ETIM

ETIM 8.0	EC001627
----------	----------

### UNSPSC

UNSPSC 21.0	39121600
-------------	----------



# PT-IQ-PTB-PT - Supply and remote module



2801296

<https://www.phoenixcontact.com/be/products/2801296>

## Environmental product compliance

REACH SVHC	Lead 7439-92-1
China RoHS	Environmentally Friendly Use Period = 50 years
	For information on hazardous substances, refer to the manufacturer's declaration available under "Downloads"

2801296

<https://www.phoenixcontact.com/be/products/2801296>

## Accessories

### ZBF 5:UNBEDRUCKT - Zack Marker strip, flat

0808642

<https://www.phoenixcontact.com/be/products/0808642>



Zack Marker strip, flat, Strip, white, unlabeled, can be labeled with: PLOTMARK, CMS-P1-PLOTTER, mounting type: snapped, for terminal block width: 5 mm, lettering field size: 5.1 x 5.2 mm, Number of individual labels: 10

---

### ZBF 5/WH-100:UNBEDRUCKT - Zack Marker strip, flat

0808668

<https://www.phoenixcontact.com/be/products/0808668>



Zack Marker strip, flat, Strip, white, unlabeled, can be labeled with: CMS-P1-PLOTTER, PLOTMARK, mounting type: snapped, for terminal block width: 5 mm, lettering field size: 5.15 x 5.15 mm, Number of individual labels: 1000

# PT-IQ-PTB-PT - Supply and remote module

2801296

<https://www.phoenixcontact.com/be/products/2801296>

## ZBF 5,LGS:FORTL.ZAHLEN - Zack Marker strip, flat

0808671

<https://www.phoenixcontact.com/be/products/0808671>



Zack Marker strip, flat, Strip, white, labeled, printed horizontally: consecutive numbers 1 ... 10, 11 ... 20, etc. up to 491 ... 500, mounting type: snapped, for terminal block width: 5 mm, lettering field size: 5.15 x 5.15 mm, Number of individual labels: 10

---

## ZBF 5,LGS:GERADE ZAHLEN - Zack Marker strip, flat

0810821

<https://www.phoenixcontact.com/be/products/0810821>



Zack Marker strip, flat, Strip, white, labeled, printed horizontally: consecutive even numbers 2 ... 20, 22 ... 40, etc. up to 82 ... 100, mounting type: snapped, for terminal block width: 5 mm, lettering field size: 5.15 x 5.15 mm, Number of individual labels: 10

# PT-IQ-PTB-PT - Supply and remote module

2801296

<https://www.phoenixcontact.com/be/products/2801296>

## ZBF 5,LGS:UNGERADE ZAHLEN - Zack Marker strip, flat

0810863

<https://www.phoenixcontact.com/be/products/0810863>



Zack Marker strip, flat, Strip, white, labeled, printed horizontally: Odd numbers 1 - 19, 21 - 39, etc. up to 81 - 99, mounting type: snapped, for terminal block width: 5 mm, lettering field size: 5.15 x 5.15 mm, Number of individual labels: 10

---

## ZBF 5,QR:FORTL.ZAHLEN - Zack Marker strip, flat

0808697

<https://www.phoenixcontact.com/be/products/0808697>



Zack Marker strip, flat, Strip, white, labeled, Printed vertically: consecutive numbers 1 ... 10, 11 ... 20, etc. up to 91 ... 100, mounting type: snapped, for terminal block width: 5 mm, lettering field size: 5.15 x 5.15 mm, Number of individual labels: 10

# PT-IQ-PTB-PT - Supply and remote module

2801296

<https://www.phoenixcontact.com/be/products/2801296>

## ZBN 18:UNBEDRUCKT - Zack marker strip

2809128

<https://www.phoenixcontact.com/be/products/2809128>



Zack marker strip, Strip, white, unlabeled, can be labeled with: CMS-P1-PLOTTER, PLOTMARK, mounting type: snapped, for terminal block width: 18 mm, lettering field size: 18 x 5 mm, Number of individual labels: 5

---

## E/ME TBUS NS35 GY - End clamp

2713780

<https://www.phoenixcontact.com/be/products/2713780>



End clamp, stable construction for DIN rail bus connector

# PT-IQ-PTB-PT - Supply and remote module



2801296

<https://www.phoenixcontact.com/be/products/2801296>

## FK-MC 0,5/ 5-ST-2,5 - PCB connector

1881354

<https://www.phoenixcontact.com/be/products/1881354>



PCB connector, nominal cross section: 0.5 mm<sup>2</sup>, color: green, nominal current: 4 A, rated voltage (III/2): 160 V, contact surface: Tin, contact connection type: Socket, number of potentials: 5, number of rows: 1, number of positions: 5, number of connections: 5, product range: FK-MC 0,5/..-ST, pitch: 2.5 mm, connection method: Push-in spring connection, conductor/PCB connection direction: 0 °, plug-in system: COMBICON FK-MC 0,5, locking: without, mounting: without, type of packaging: packed in cardboard

---

## SSA 3-6 - Shield connection

2839295

<https://www.phoenixcontact.com/be/products/2839295>

Shield fast connection for 3 ... 6 mm cable diameter. Potential connecting cable: 200 mm, 1 mm<sup>2</sup>, color: black



# PT-IQ-PTB-PT - Supply and remote module



2801296

<https://www.phoenixcontact.com/be/products/2801296>

## SSA 5-10 - Shield connection

2839512

<https://www.phoenixcontact.com/be/products/2839512>



Shield fast connection for 5 ... 10 mm cable diameter. Potential connecting cable: 200 mm, 1 mm<sup>2</sup>, color: black

---

## X-PEN 0,35 - Marker pen

0811228

<https://www.phoenixcontact.com/be/products/0811228>



Marker pen without ink cartridge, for manual labeling of markers, labeling extremely wipe-proof, line thickness 0.35 mm

# PT-IQ-PTB-PT - Supply and remote module



2801296

<https://www.phoenixcontact.com/be/products/2801296>

## PT-IQ-PTB-P - Plug

2800989

<https://www.phoenixcontact.com/be/products/2800989>



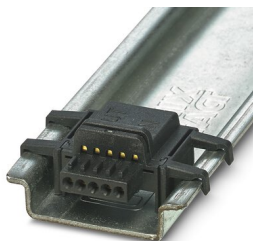
Replacement plug for the PLUGTRAB PT-IQ-PTB... supply and remote signaling module

---

## PT-IQ-17,5-TBUS-5-2.0 - DIN rail bus connectors

2906878

<https://www.phoenixcontact.com/be/products/2906878>



DIN rail connector for PT-IQ system for establishing remote signaling and the power supply when a surge protection module is snapped on.

---

Phoenix Contact 2023 © - all rights reserved  
<https://www.phoenixcontact.com>

PHOENIX CONTACT nv/sa  
Minervastraat 10-12  
1930 Zaventem-Keiberg II  
+32 (0)2/723 98 11  
[info@phoenixcontact.be](mailto:info@phoenixcontact.be)